

MT503CP-22

GUM Shower Range 15mm Thermostatic Mixing Valve 22mm Inlets



Features:

- Suitable for high pressure bath fill with 22mm compression inlet and 15mm outlet
- Automatic shutoff in the event of hot or cold water supply failure
- Check valves and serviceable filters as standard
- Operates at a maximum pressure differential of 10:1
- High pressure bath fill Part G compliant

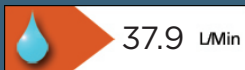
Product Certifications:



TMV2 Cert. Number: BC1860/1117
TMV2 Expiry Date: 16/11/2022



TMV3 Cert. Number: BC1861/1217
TMV3 Expiry Date: 13/12/2022



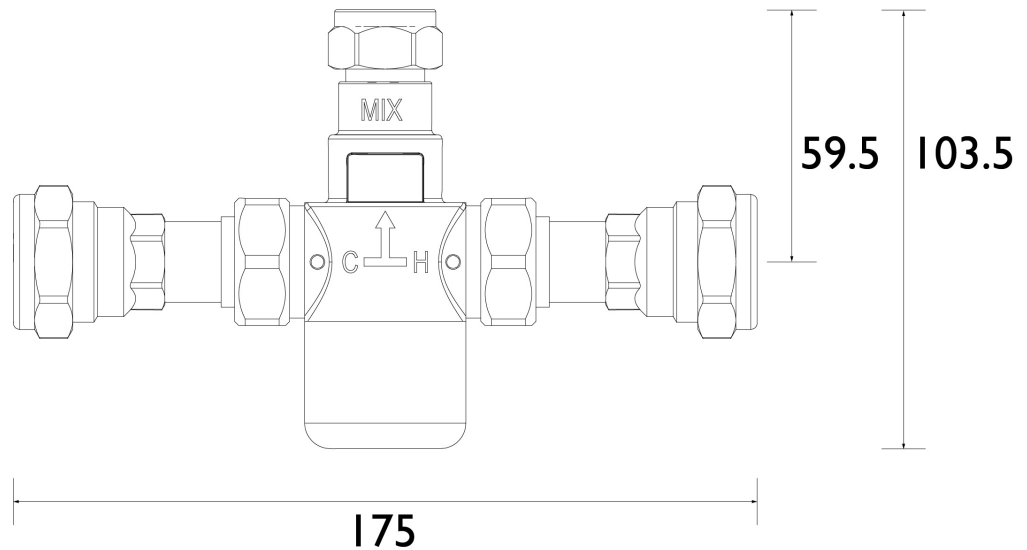
For more products, visit our website:
<http://www.bristan.com>



Specification

Style:	Utility
Main Construction Material:	Brass
No of Controls:	0
Shower Type:	Thermostatic Mixing Valve
Shower Head Type:	N/A
Valve/Cartridge Type:	Thermostatic
Maximum Hot Water Supply Temperature °C:	80
Maximum Static Pressure: (bar)	10
Plumbing System Suitability:	All- Ideally Balanced
Working Pressure Range:	Min. 0.1 Bar - Max. 2.0 Bar
Connection Inlet:	22mm
Connection Outlet:	15mm
Check Valve Included:	Yes
Flow Type:	Single Flow

Dimensions (measurements in mm)



Flow Rates (l/min)

System Pressure (bar)	0.2	0.5	1	2	3	5
Through Handset (mixed)	8.5	15	21.5	31	37.9	49

TECHNICAL
DATA
SHEET



BRISTAN

D4