

PEA PULLSNK C

PEAR Tap Range Pear Monobloc Sink Mixer with Pull Out Spray Chrome



Features:

- Long life ceramic cartridge for added durability and ease of use
- Metal fixing nut for added durability
- Minimum working pressure of 1.5 bar
- Flexible tails included
- Particular attention should be paid to this product which will need to be installed in accordance with your local Water Authority/Water Regulations

Product Certifications:



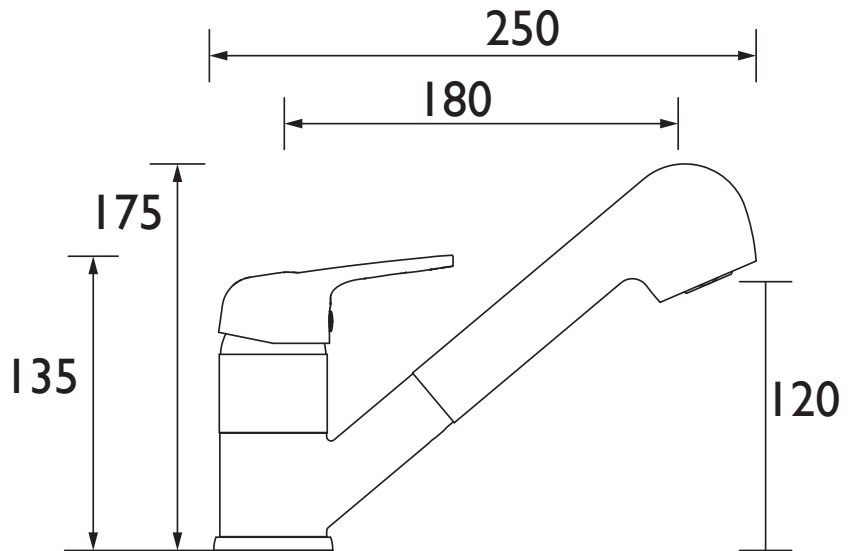
For more products, visit our website:
<http://www.bristan.com>



Specification

Product Type:	Taps
Main Construction Material:	Brass
Mount Type:	Deck Mounted
Handle Type:	Lever Handle
Connection Inlet:	1/2" BSP
Connection Outlet:	Handset with Spray Function
Number of Tap Holes:	1
Valve/Cartridge Type:	40mm Cartridge
Plumbing System Requirements:	Suitable for all plumbing systems
Minimum Dynamic Pressure (bar):	1.5 bar
Maximum Dynamic Pressure (bar):	5 bar
Maximum Hot Water Temperature °C:	65°C
Maximum Static Pressure (bar):	10 bar
Flow Type:	Dual Flow
Isolation Included:	No

Dimensions (measurements in mm)



Flow Rates (l/min)

System Pressure (bar)	1.5	2	3	4	5
PEA PULLSNK C (mixed)	7	9.5	12.2	14.2	16.4

TECHNICAL DATA SHEET



BRISTAN

D5