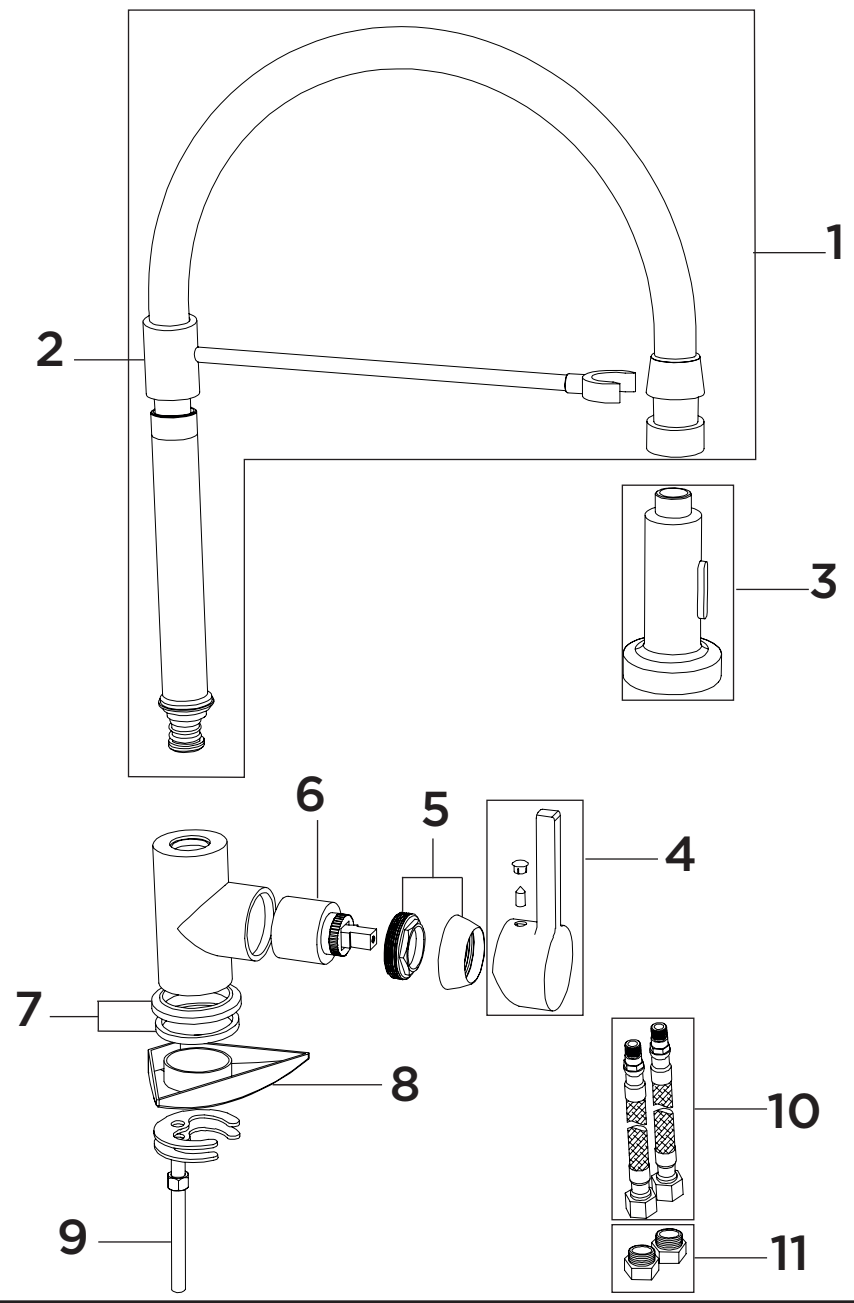


Product Code: LQR PROSNK C

Revision: D8



1	Spout Assembly
2	Arm
3	Handset
4	Handle Assembly
5	Shroud & Cartridge Retaing Nut
6	Cartridge
7	Plinth
8	Reinforcing Plate
9	Fixing Kit
10	Inlet Connection Flexible (Pair)
11	Non-Return Valves Complete (Pair)