

TS6000ECP

GUM Shower Range 28mm Thermostatic Mixing Valve



Specification

Finish/Colour:	Chrome Plated
Main Construction Material:	Brass
No of Controls:	N/A
Shower Type:	Thermostatic Mixing Valve
Shower Head Type:	N/A
Valve/Cartridge Type:	Thermostatic
Maximum Hot Water Supply Temperature °C:	60
Plumbing System Suitability:	Suitable for all plumbing systems
Minimum Dynamic Pressure (bar):	0.1
Maximum Dynamic Pressure (bar):	5.0
Maximum Static Pressure (bar):	10
Connection Inlet:	28mm
Connection Outlet:	1 1/4"
Check Valve Included:	Yes

Features:

- Ideal for group applications at pressures as low as 0.1 bar
- Temperature control can be locked in position or allow adjustment
- Automatic shutoff in the event of hot or cold water supply failure
- Check valves and serviceable filters as standard
- Operates at a maximum pressure differential of 10:1

Specify As:

- 28mm Thermostatic Group Blending Valve with Integral Isolation Valves

Product Certifications:



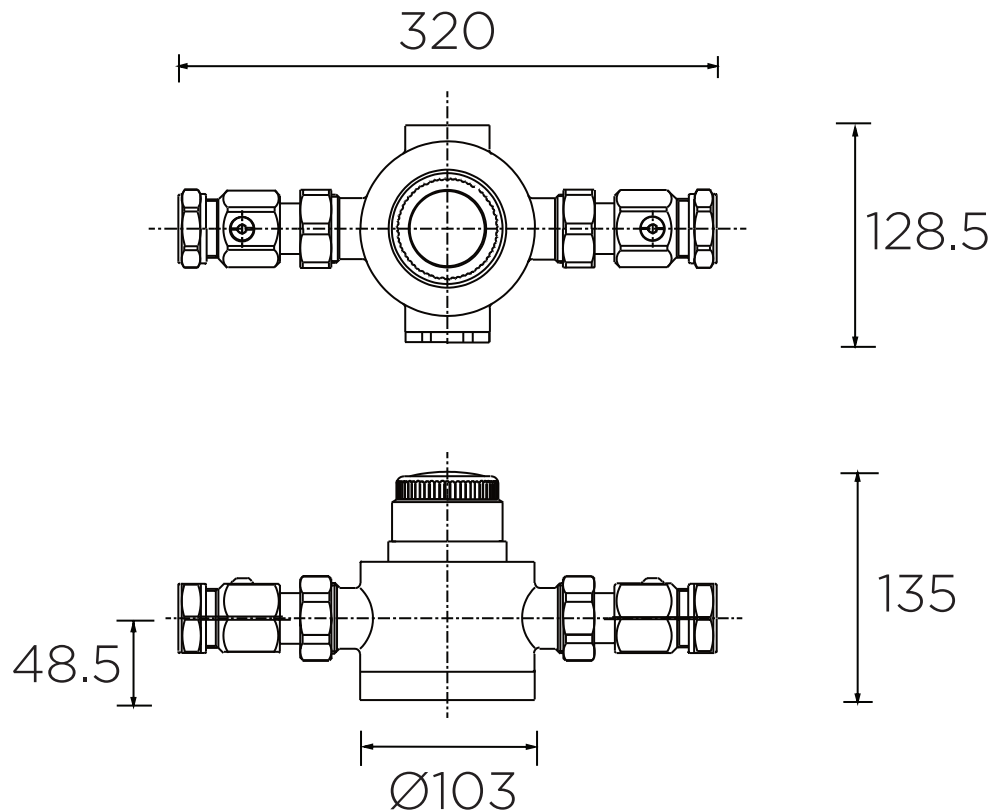
WRAS Certificate No: 241203010
WRAS Expiry Date: 31/12/2029



For more products, visit our website:
<http://www.bristan.com>



Dimensions (measurements in mm)



Flow Rates (l/min)

System Pressure (bar)	0.2	0.5	1	2	3	5
Through Handset (mixed)	36	62	88	125	150	195

TECHNICAL DATA SHEET



BRISTAN

D6