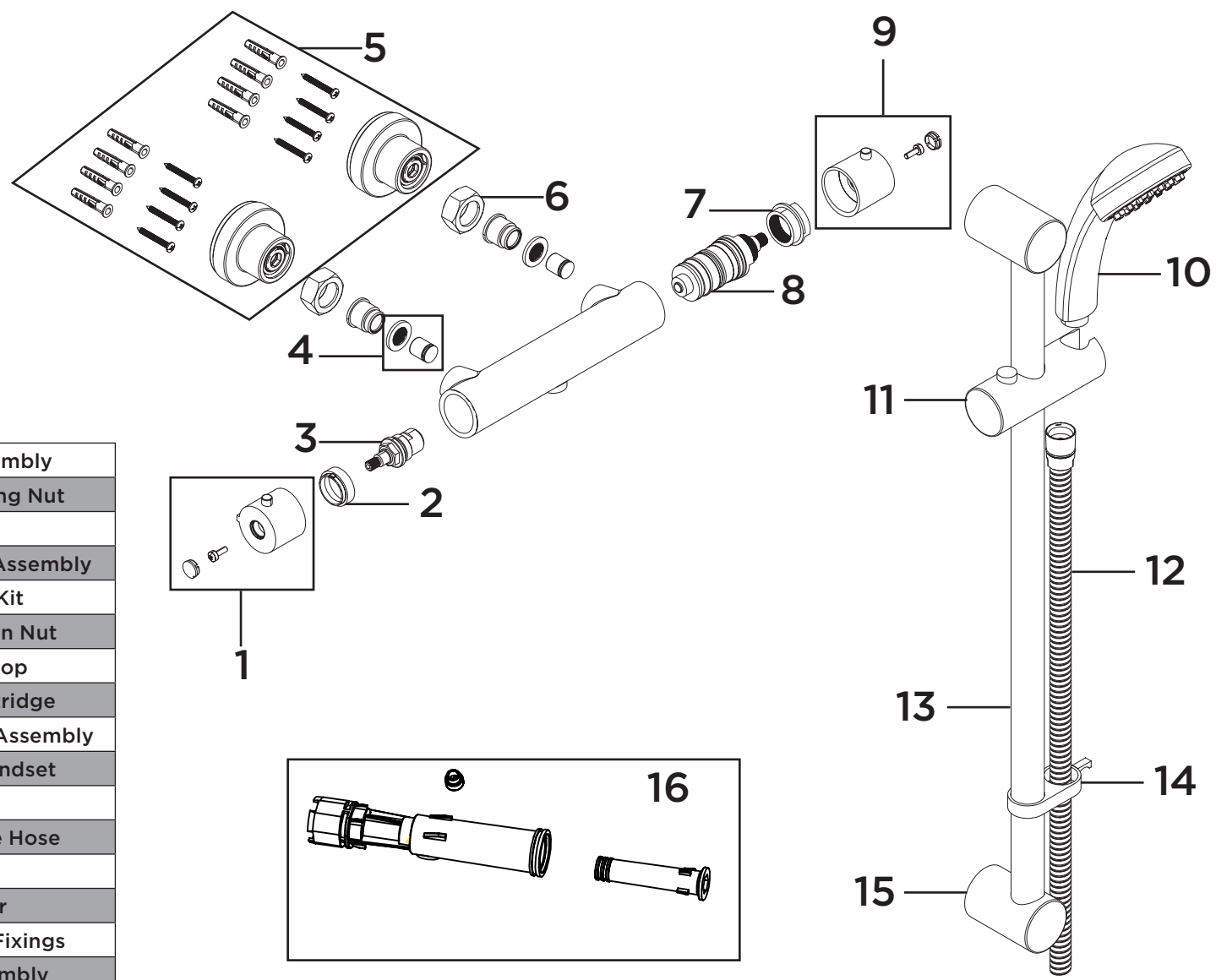


Product Code: FZ SHXMMCTFF C
Revision: D3



1	Flow Handle Assembly
2	Flow Valve Retaining Nut
3	Flow Valve
4	Check Valve & Filter Assembly
5	Wall Mount 12 Kit
6	15mm Compression Nut
7	Temperature Stop
8	Thermostatic Cartridge
9	Temperature Handle Assembly
10	Multi-Function Handset
11	Slider
12	1.5m Cone to Cone Hose
13	Riser Rail
14	Hose Retainer
15	Wall Bracket with Fixings
16	Centre Pipe Assembly