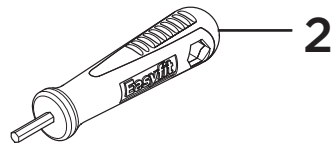
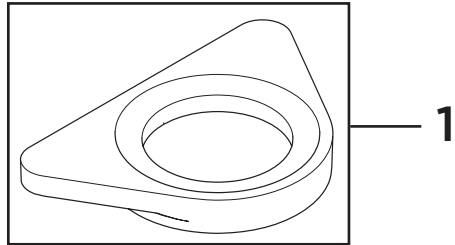
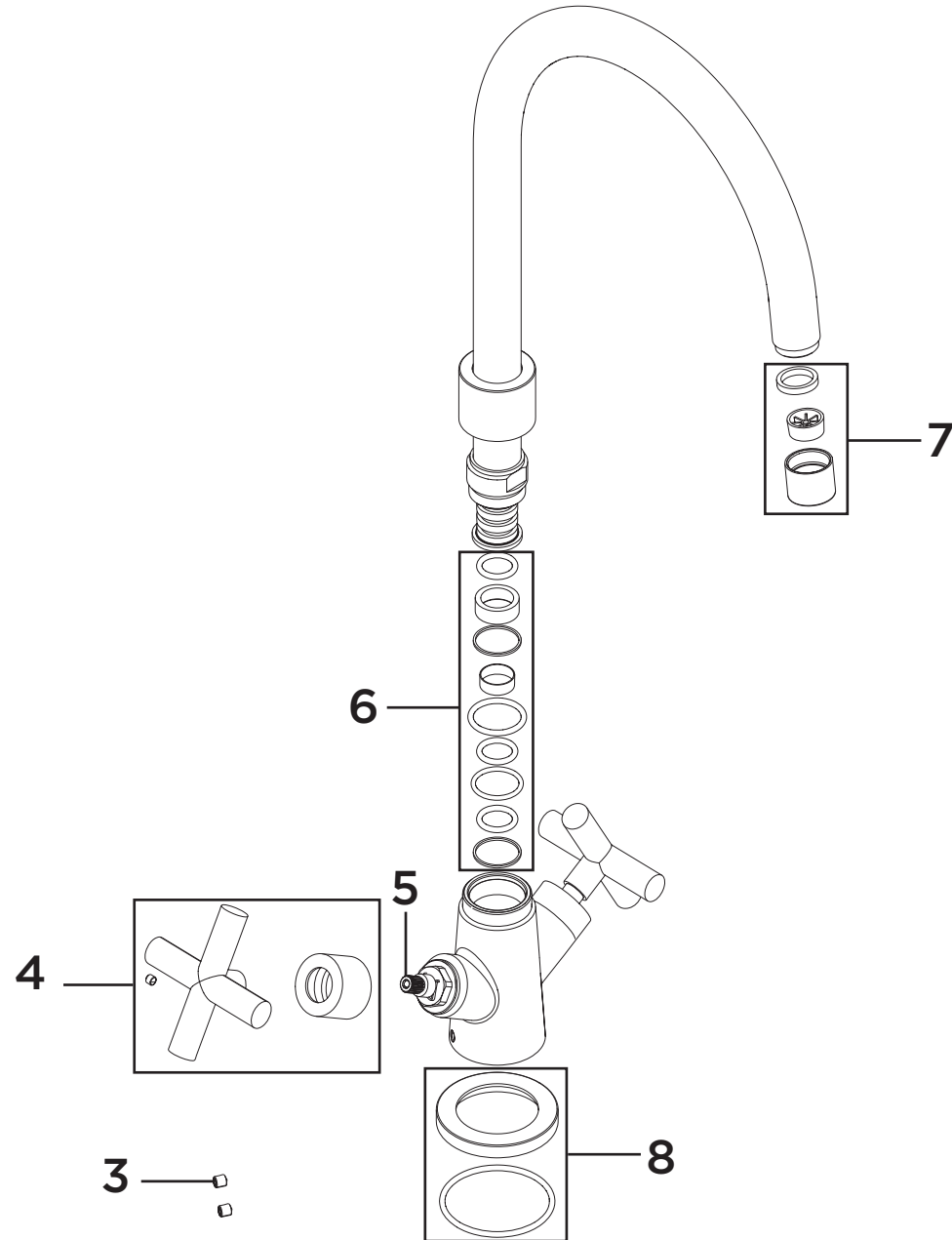


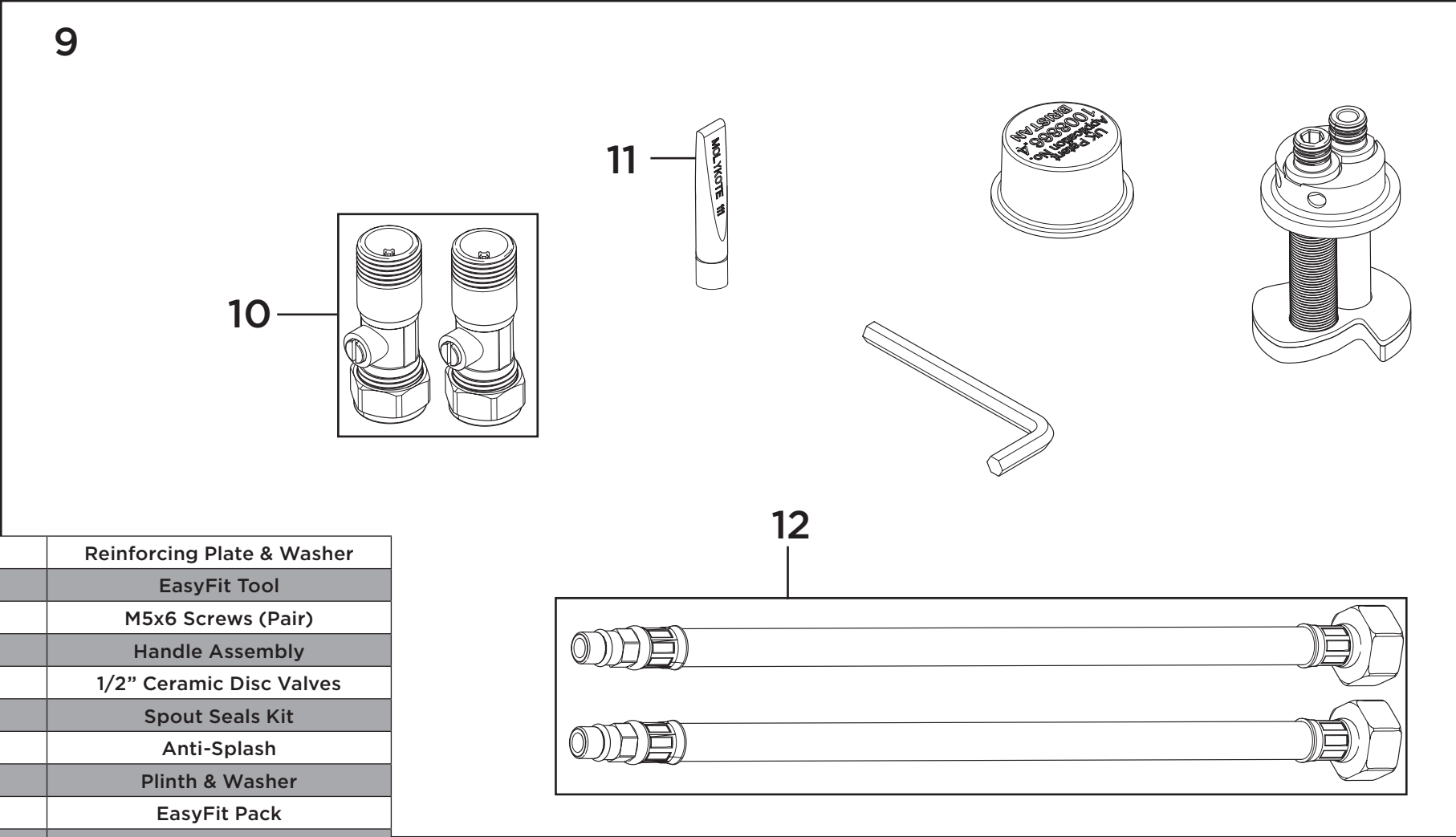
**Product Code:** TNG EFSNK C  
**Revision:** D2



1	Reinforcing Plate & Washer
2	EasyFit Tool
3	M5x6 Screws (Pair)
4	Handle Assembly
5	1/2" Ceramic Disc Valves
6	Spout Seals Kit
7	Anti-Splash
8	Plinth & Washer
9	EasyFit Pack
10	Isolation Valves (Pair)
11	Molykote Grease
12	1/2" BSP Flexible Tails (Pair)



**Product Code:** TNG EFSNK C  
**Revision:** D2



1	Reinforcing Plate & Washer
2	EasyFit Tool
3	M5x6 Screws (Pair)
4	Handle Assembly
5	1/2" Ceramic Disc Valves
6	Spout Seals Kit
7	Anti-Splash
8	Plinth & Washer
9	EasyFit Pack
10	Isolation Valves (Pair)
11	Molykote Grease
12	1/2" BSP Flexible Tails (Pair)