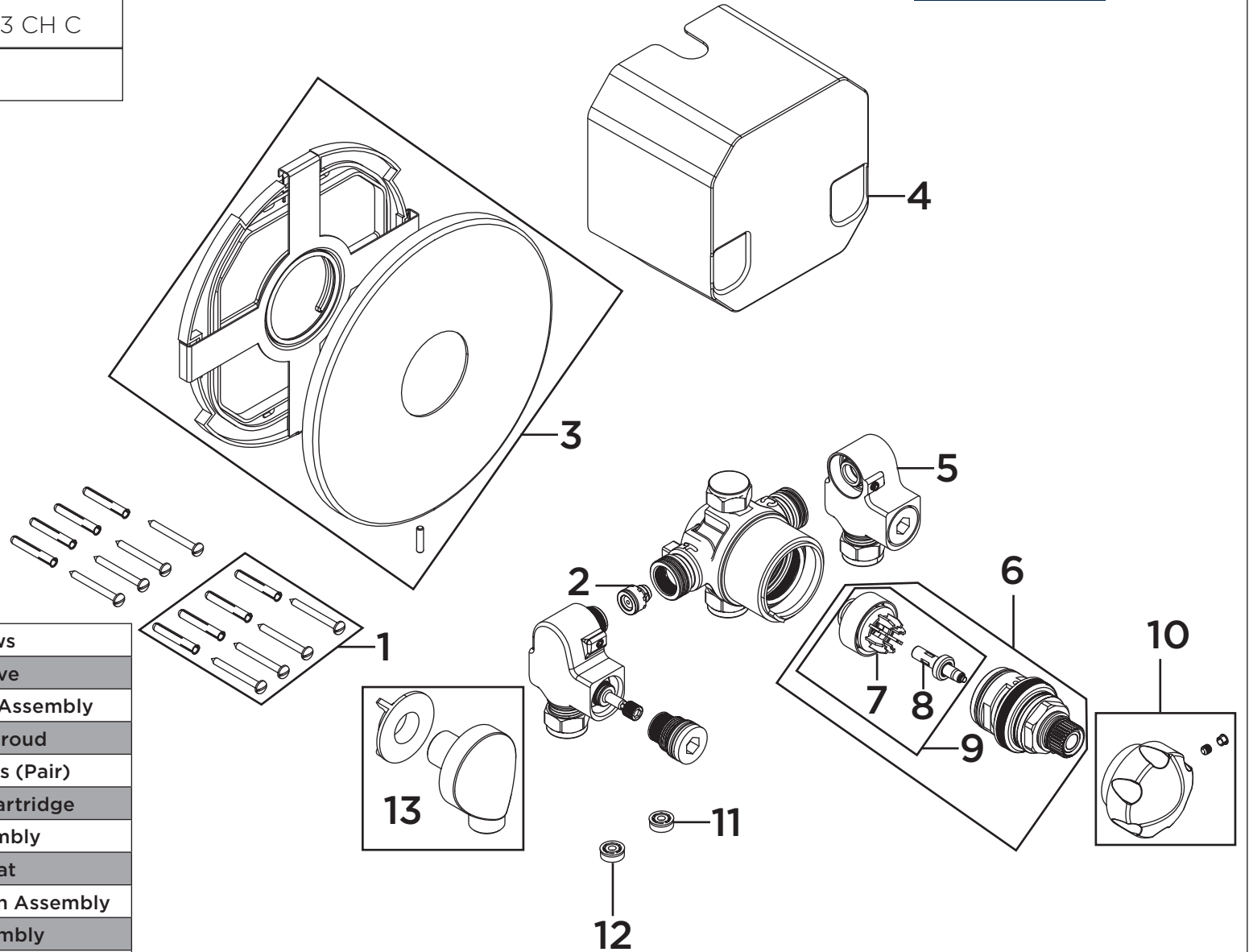


Product Code: MINI2 TS1203 CH C

Revision: D2



1	4pk Screws
2	Check Valve
3	Concealing Plate Assembly
4	Plastering Shroud
5	Isolating Elbows (Pair)
6	Thermostatic Cartridge
7	Piston Assembly
8	Thermostat
9	Thermostat & Piston Assembly
10	Handle Assembly
11	5lpm Flow Limiter
12	7lpm Flow Limiter
13	Wall Outlet