

# MINI2 TS1203 CH C COMMERCIAL Shower Range

## MINI TS1203 Concealed Shower Valve with Handwheel Chrome



### Features:

- Single sequential control for both temperature and flow
- Concealed shower with easy-access cover plate for servicing
- Integral isolator and easy clean filters
- Inlet centres of 99mm +/- 1mm

### Product Certifications:

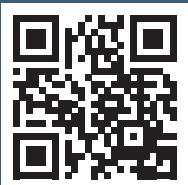


WRAS Certificate No: 240403011  
WRAS Expiry Date: 30/04/2029



TMV2 Certificate No: 2503305  
TMV2 Designation: HP-SE  
TMV2 Expiry Date: 16/03/2030

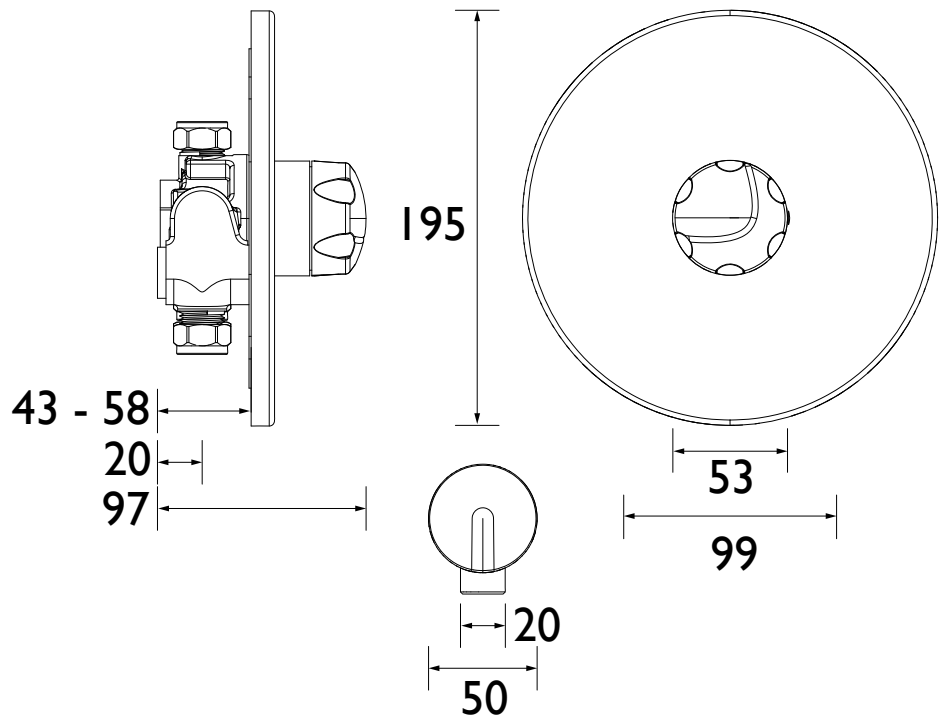
For more products, visit our website:  
<http://www.bristan.com>



### Specification

|  |   |
|--|---|
| Finish/Colour:                           | Chrome Plated                           |
| Main Construction Material:              | Brass                                   |
| No of Controls:                          | 1                                       |
| Shower Type:                             | Sequential Mini Valve                   |
| Shower Head Type:                        | Valve Only                              |
| Shower Kit:                              | N/A                                     |
| Valve/Cartridge Type:                    | Sequential Cartridge                    |
| Maximum Hot Water Supply Temperature °C: | 60                                      |
| Plumbing System Suitability:             | Suitable for high pressure systems only |
| Minimum Dynamic Pressure (bar):          | 1                                       |
| Maximum Dynamic Pressure (bar):          | 5                                       |
| Maximum Static Pressure (bar):           | 10                                      |
| Connection Inlet:                        | 15mm Compression                        |
| Connection Outlet:                       | G 1/2"                                  |
| Isolation Valve Included:                | No                                      |
| Check Valve Included:                    | Yes                                     |

### Dimensions (measurements in mm)



### Flow Rates (l/min)

| System Pressure (bar) | 1   | 2   | 3   | 4   | 5   |
|-----------------------|-----|-----|-----|-----|-----|
| Valve Only (mixed)    | 7.8 | 8.8 | 9.1 | 9.4 | 9.3 |

## TECHNICAL DATA SHEET



# BRISTAN

D9