

BRISTAN

Traditional Bath Wastes

Installation Instructions & User Guide



IMPORTANT: Please keep these instructions for future reference and request of replacement parts

Introduction

Thank you for choosing Bristan, the UK's leading taps and showers expert. We have designed this product with your enjoyment in mind. To ensure that it works to its full potential, it needs to be fitted correctly. These fitting instructions have been created to give you all of the information you need and, if you need any further help, please do not hesitate to give us a call on 0330 026 6273.

Installation

1. Identify all components are present prior to installation.

2. Fit the waste body (2) to the underside of the sink using the foam washer (3).

3. Fit the banjo fitting (4) to the waste body (2) using the banjo washer (5) and rubber washer (6) as shown in the diagram. Secure using the backnut (7).

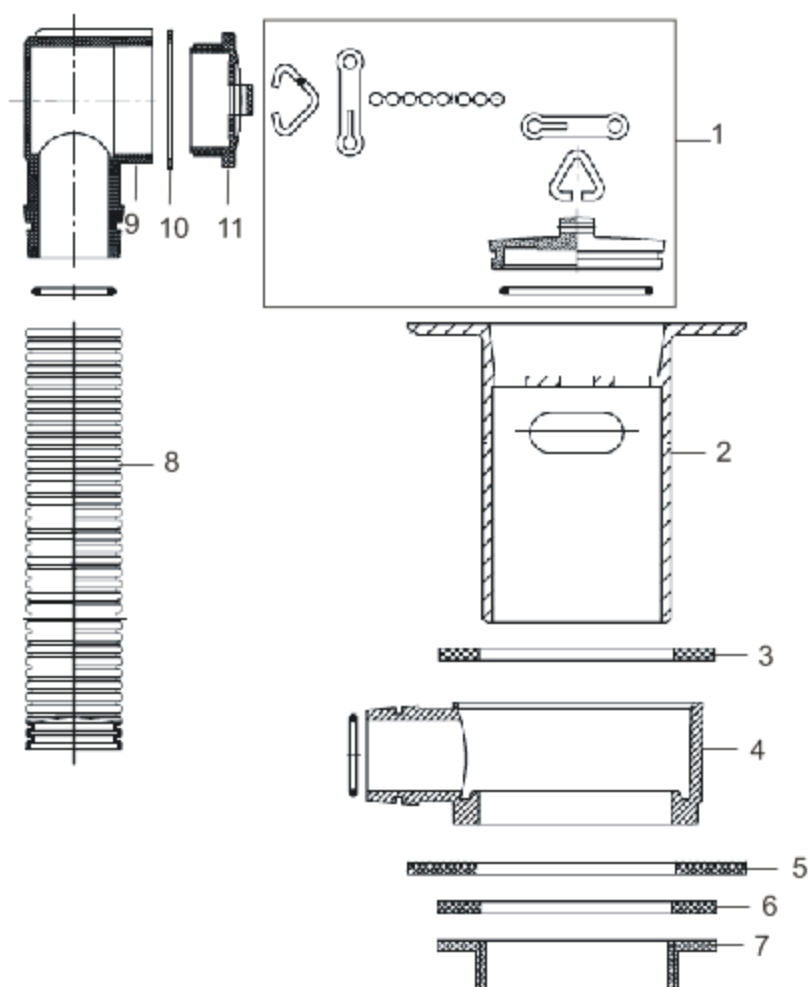
4. Fit the overflow elbow (9) to the sink using the overflow washer (10).

5. Screw the overflow face (11) onto the thread of the overflow elbow (9).

6. Connect the overflow tube (8) to the banjo fitting (4) and overflow elbow (9).

7. Check all joints and connections for leaks.

8. See over the page for aftercare instructions.



BRISTAN

Components

1. Plug & Chain Assembly (x1)
2. Waste Body (x1)
3. Foam Washer (x1)
4. Banjo Fitting (x1)
5. Banjo Washer (x1)
6. Rubber Washer (x1)
7. Backnut (x1)
8. Overflow Tube (x1)
9. Overflow Elbow (x1)
10. Overflow Washer (x1)
11. Overflow Face (x1)

Cleaning & Maintenance

Your fitting has a high quality finish and should be treated with care to preserve the visible surfaces. All finishes will wear if not cleaned correctly. The only safe way to clean your product is to wipe with a soft damp cloth. Stains can be removed using washing up liquid. All bathroom cleaning product (powders and liquids) will damage the surface of your fitting, even the non-scratch cleaners.

NOTE: - Never use abrasive detergents or disinfectants or those containing alcohol, hydrochloric or phosphoric acid.

At Bristan, we want to make things as easy as possible for our customers. That's why we offer solid guarantees on all our products, effective from the date of purchase, to give you peace of mind. To start your free guarantee, simply scan the QR code and register your product. Alternatively, visit www.bristan.com/register to register your product via a computer. For full guarantee terms and conditions visit, www.bristan.com/guarantees



We Know & We Care

BRISTAN

This booklet covers product codes

W BATH01 C - Chrome

W BATH01 G - Gold

W BATH11 C - Chrome

Helpline

0330 026 6273

Bristan Group Limited

Birch Coppice Business Park, Dordon, Tamworth, Staffordshire,
B78 1SG

A Masco Company

Website: www.bristan.com

Telephone: 0330 026 6273

Email: enquire@bristan.com