

W BASIN15 C

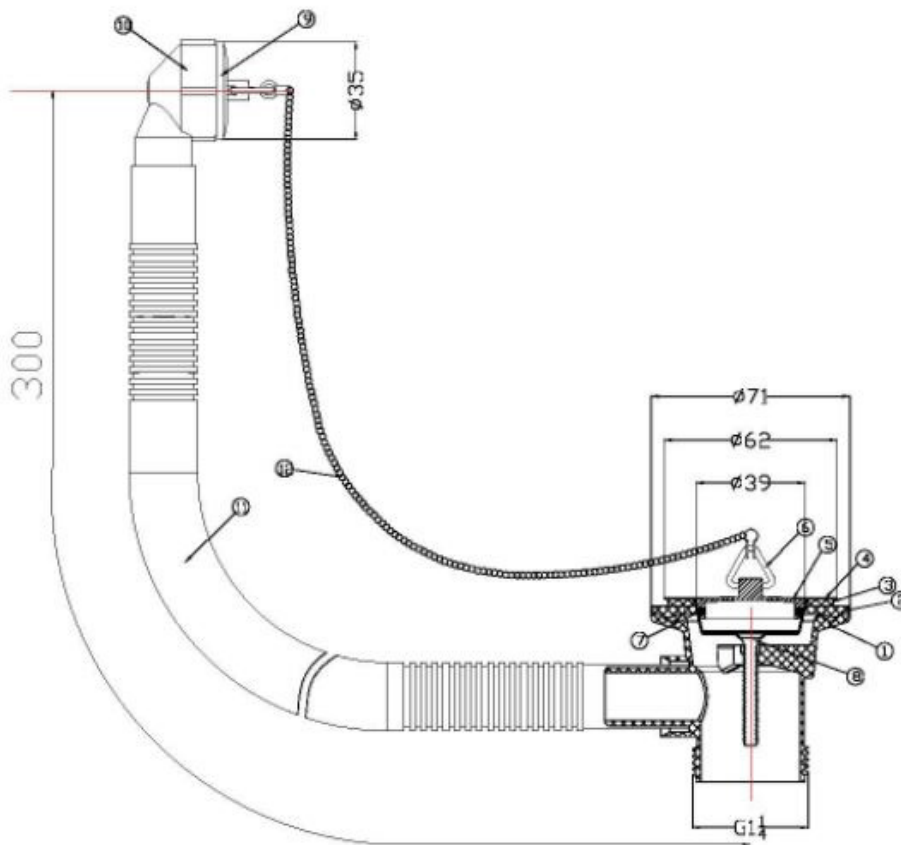
Accessories Round Vanity Basin Waste Slotted Chrome



Specification

Main Construction Material:	Chrome and ABS Plastic
Connection Inlet:	G1 ¼"
Contemporary or Traditional:	Traditional
Construction:	Plastic Construction with Stainless Steel Flange

Dimensions (measurements in mm)

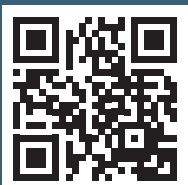


Features:

- Slotted waste, suitable for Vanity Units with a built in overflow
- W BASIN15 is Chrome plated to BS EN 248
- Supplied complete with Chrome plated ABS (plastic) plug, ball link, brass chain & ABS overflow

Product Certifications:

For more products, visit our website:
<http://www.bristan.com>



**TECHNICAL
DATA
SHEET**



BRISTAN

D2