

BRISTAN

Round Push Button

Fitting Instructions & Contents List



Please keep these instructions for future reference and request of replacement parts

BRISTAN

Contents	Page
1. Introduction	01
2. Safety Note	01
3. Specification	01
4. Installations	
Clicker waste (slotted)	02
Clicker waste (unslotted)	03
5. Cleaning & Maintenance	04
6. Bristan Guarantee	05

1. Introduction

Thank you for choosing Bristan, the UK's leading taps and showers expert. We have designed this product with your enjoyment in mind. To ensure that it works to its full potential, it needs to be fitted correctly. These fitting instructions have been created to give you all of the information you need and, if you need any further help, please do not hesitate to give us a call on 0844 701 6273.

2. Safety Note

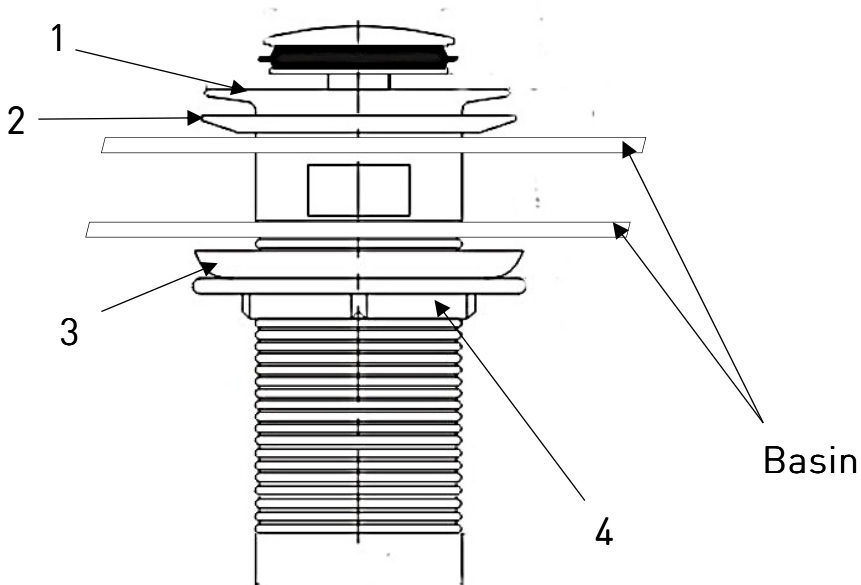
Please read these instruction thoroughly and retain for future use. All products manufactured and supplied by Bristan are safe provided they are installed correctly, used correctly and receive regular maintenance in accordance with these instructions.

3. Specification

Designed to comply with BS EN 274-1:2002 Waste fittings for sanitary appliances.

4. installation – W BASIN10 C (slotted)

1. Identify all components are present prior to installation.
2. Fit the waste body (1) & rubber washer (2) into the basin.
3. Use the pure silicon sealant where necessary. Place shaped rubber washer (3) under the basin & secure waste by tightening backnut (4) as shown on the diagram below.
4. In order to fill the basin, the button in the middle of the waste needs to be pressed down. To release water, press the button again.
5. Check all joints & connections for leaks
6. See page 04 for aftercare instructions



Parts contents list

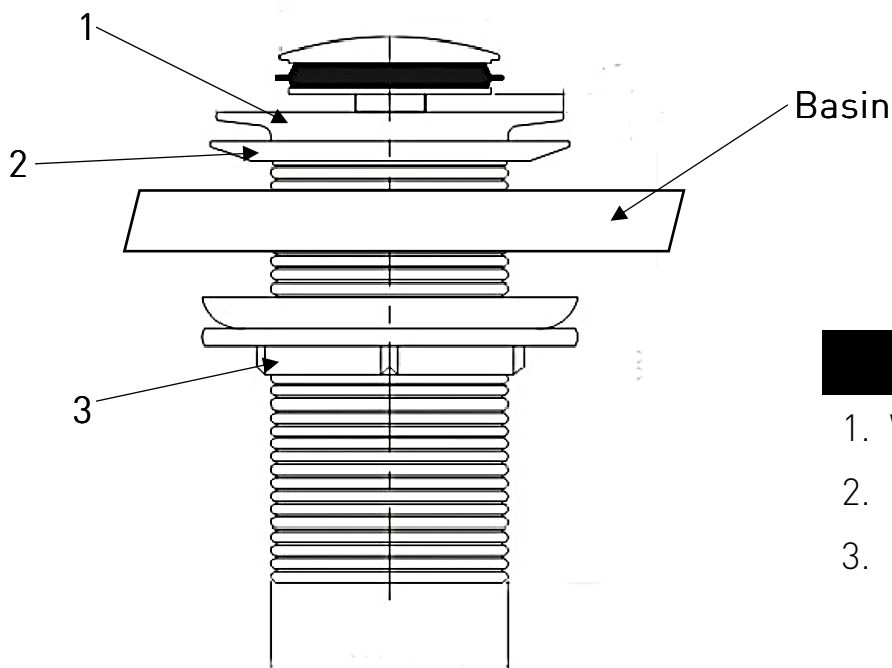
1. Waste body
2. Rubber washer
3. Shaped rubber washer
4. Backnut

installation continued – W BASIN11 C (unslotted)

1. Identify all components are present prior to installation.
2. Fit the waste body (1) & rubber washer (2) into the basin.
3. Use a pure silicon sealant where necessary. Secure waste by tightening backnut (3) as shown on the diagram.
4. In order to fill the basin, the button in the middle of the waste needs to be pressed down. To release water, press button again.
5. Check all joints & connections for leaks.
6. See page 04 for aftercare instructions.

IMPORTANT

Due to the design of this waste & the type of basins it is suitable for e.g an overflow less glass basin. It is imperative that any water fittings are turned off before the basin is allowed to overflow.



Parts contents list

1. Waste Body
2. Rubber Washer
3. Backnut

5. Cleaning & Maintenance

Your fitting has a high quality finish and should be treated with care to preserve the visible surfaces.

All finishes will wear if not cleaned correctly. The only safe way to clean your product is to wipe with a soft damp cloth. Stains can be removed using washing up liquid. All bathroom cleaning product (powders and liquids) will damage the surface of your fitting, even the non-scratch cleaners.

NOTE:- Never use abrasive detergents or disinfectants or those containing alcohol, hydrochloric or phosphoric acid.

Bristan recommend E-Cloth for cleaning all of our bathroom & kitchen products. Using just water, E-cloth gives a smear free, deep clean by breaking up and holding dirt, which normal cloths leave behind. Order through your Bristan stockist.

(ORDER CODE: E-CLOTH)





Guarantee

Bristan Guarantee

- 2 year - Pumps, Power Showers**
2 year parts. 1 year labour (subject to registration).
- Electric Showers/Instantaneous Water Heaters**
2 year parts. 1 year labour (subject to registration).
- 5 year - Taps and Mixers**
5 year parts and 1 year labour (subject to proof of purchase).
- Shower Valves**
5 year parts. 5 year labour (subject to registration), else 1 year with proof of purchase.
- Accessories**
5 year parts only. Includes bathrooms accessories, shower accessories (e.g. hoses, handsets and poles), wastes, WC levers and light pulls.
- 10 year - Shower enclosures, Shower Trays, Sanitary Ware & Furniture**
10 year parts (subject to registration), else 2 years with proof of purchase. 1 year labour (subject to registration), else 1 year with proof of purchase.

This guarantee applies to products purchased within the United Kingdom or Republic of Ireland, but does not apply to products used commercially.

The guarantee is only available to original purchasers who have proof of purchase.

The installation must allow ready access to all products for the purpose of inspection, maintenance or replacement.

Any part found to be defective during the above guarantee period will be replaced without charge, providing that the product has been installed in accordance with the instructions, used as intended, and regularly serviced.

Servicing should be carried out at regular intervals of no more than 12 months and more frequently in hard water areas (heavy lime scale) areas.

In the unlikely event that any problems are encountered with the product's performance on installation, you must obtain guidance/authorisation from our Customer Service Department, and be able to supply proof and date of purchase, before any remedial action is taken.

The guarantee excludes general wear and tear and damage caused by accident, misuse or neglect, and does not cover the following:

Components that are subject to general wear and tear such as filters, seals, 'O' rings and washers etc.

- Damage caused by faulty installation
- Damage caused by lime scale or any waterborne debris
- Damage caused by inappropriate cleaning products (see user instructions)
- Damage caused by the use of non-Bristan parts
- The product being used for a purpose other than intended by the manufacturer.

In the interests of continuous product improvement Bristan reserves the right to alter specification as necessary.



BRISTAN

This booklet covers all product codes

W BASIN10 C - Chrome

W BASIN11 C - Chrome

Helpline

0844 701 6273

Bristan Group Limited

Birch Coppice Business Park, Dordon, Tamworth, Staffordshire B78 1SG

A Masco Company

Website: www.bristan.com

Telephone: 0844 7016 274 Facsimile: 0844 701 6275

Email: enquire@bristan.com