

BRISTAN

Basin Clicker Waste

Fitting Instruction & Contents List



Please keep these instructions for future reference and request of replacement parts

Introduction

Thank you for choosing Bristan, the UK's leading taps and showers expert. We have designed this product with your enjoyment in mind. To ensure that it works to its full potential, it needs to be fitted correctly. These fitting instructions have been created to give you all of the information you need and, if you need any further help, please do not hesitate to give us a call on 0330 026 6273

Safety Note

Please read these instruction thoroughly and retain for future use. All products manufactured and supplied by Bristan are safe provided they are installed correctly, used correctly and receive regular maintenance in accordance with these instructions.

Specification

Designed to comply with BS EN 274-1:2002 Waste fittings for sanitary appliances.

Cleaning & Maintenance

Your fitting has a high quality finish and should be treated with care to preserve the visible surfaces.

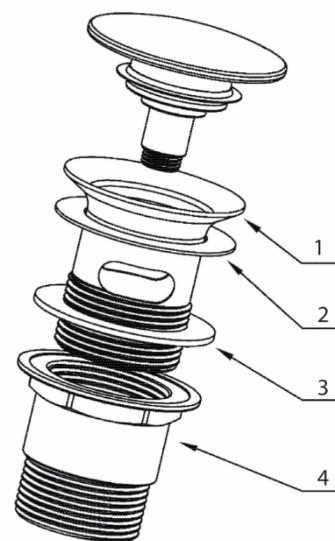
All finishes will wear if not cleaned correctly. The only safe way to clean your product is to wipe with a soft damp cloth. Stains can be removed using washing up liquid. All bathroom cleaning product (powders and liquids) will damage the surface of your fitting, even the non-scratch cleaners.

NOTE:- Never use abrasive detergents or disinfectants or those containing alcohol, hydrochloric or phosphoric acid.

4. Installation

Slotted Wastes -

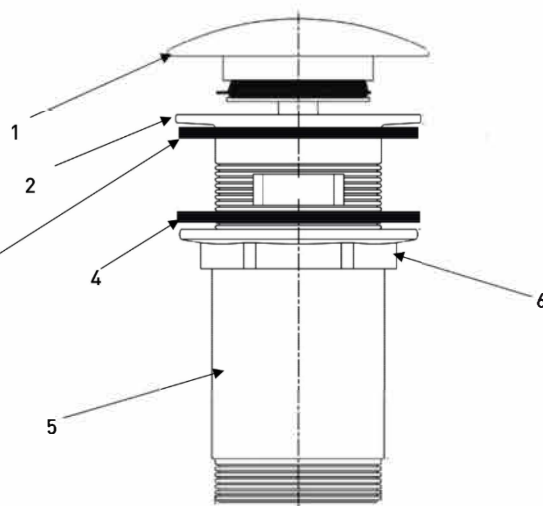
1. Identify all components are present prior to installation.
2. Unscrew the backnut (4) & remove one of the rubber washers (2/3). Fit the waste above the basin with the first washer. Locate the bottom waste.
3. Secure waste with backnut (4) & the second washer.
4. In order to fill the basin, the 'Clicker' mechanism of the waste needs to be pressed down. To release the water, press the button again.
5. Check all joints & connections for leaks.
6. See page 3 for aftercare instructions



1	Waste Flange
2	Rubber Washer
3	Rubber Washer
4	Waste Body and Back Nut

Unslotted Wastes -

1. Identify all components are present prior to installation.
2. Unscrew the clicker mechanism (1) from the flange (2) and the flange from the waste body (5).
3. Fit the rubber washer (4) onto the waste body (5) & put under the basin.
Fit the rubber washer (3) to the flange (2) & screw through the basin into the waste body.
4. Screw the clicker mechanism (1) back into the flange (DO NOT OVERTIGHTEN)
5. Check all joints and connections for leaks
6. See page 3 for aftercare instructions



1	Clicker Mechanism
2	Flange
3	Rubber Washer
4	Rubber Washer
5	Waste Body
6	Backnut

BRISTAN

This booklet covers product codes:

W BASIN04 C/G/BLK
W BASIN05 C/G
W BASIN06 C/G
W BASIN07 C/G
W BASIN08 C
W BASIN09 C
W BASIN10 C
W BASIN11 C
W BASIN16 C/G
W BASIN17 C/G

Helpline

0330 026 6273

Bristan Group Limited

Birch Coppice Business Park, Dordon, Tamworth, Staffordshire B78 1SG

A Masco Company Website:

www.bristan.com

Telephone: 0330 026 6273 Email: enquire@bristan.com

At Bristan, we want to make things as easy as possible for our customers. That's why we offer solid guarantees on all our products, effective from the date of purchase, to give you peace of mind.

To start your free guarantee, simply scan the QR code and register your product.

Alternatively, visit www.bristan.com/register to register your product via a computer.

For full guarantee terms and conditions visit, www.bristan.com/guarantees



We Know & We Care