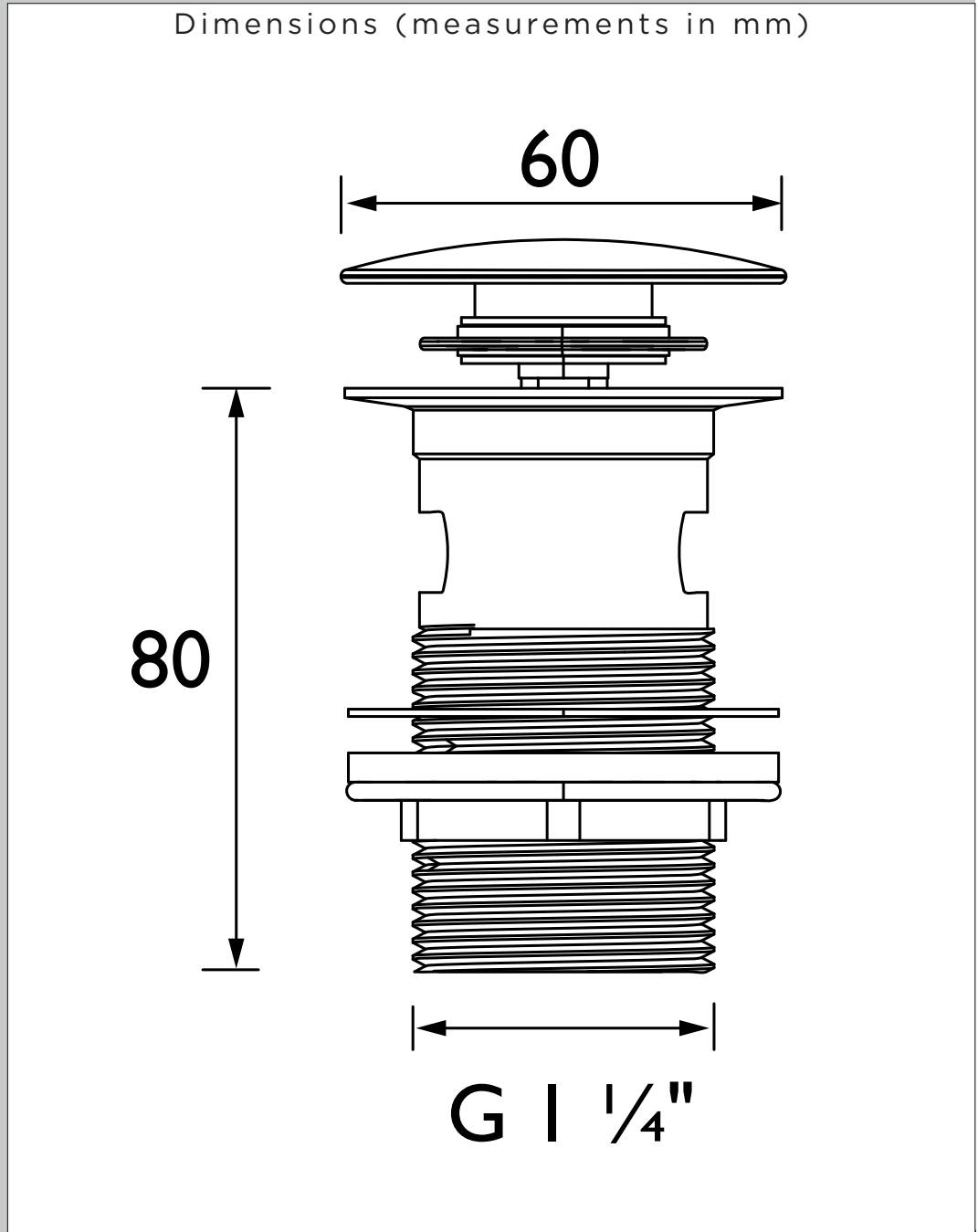


W BASIN04 G

Wastes Round Clicker Basin Waste Slotted Gold



Specification	
Contemporary or Traditional:	Contemporary
Main Construction Material:	Brass
Connection Inlet:	G1 1/4"
Waste Flow Rate (litres per minute):	46.6
What's in the Box?:	1x Waste Body, 1x Metal Backnut, 1x Clicker Mechanism, 1x Clicker Washer, 1x Rubber Washer, 1x Foam Washer



Features:

- Solid brass construction
- Metal back nut for added durability

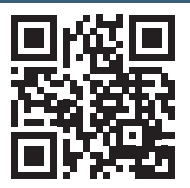
Product Certifications:

Compliant to BS EN 274

Variant SKUs:

- W BASIN04 C
- W BASIN04 BLK

For more products, visit our website:
<http://www.bristan.com>



TECHNICAL
DATA
SHEET



BRISTAN

D5