

BRISTAN

Round Push Basin Waste Chrome

Installation Instructions & User Guide



IMPORTANT: Please keep these instructions for future reference and request of replacement parts

BRISTAN

Contents	Page
1. Introduction	01
2. Safety Note	01
3. Specification	01
4. Installations	
Clicker waste (slotted)	02
Clicker waste (unslotted)	03
5. Cleaning & Maintenance	04
6. Notes	04
7. Bristan Guarantee	05

1. Introduction

Thank you for choosing Bristan, the UK's leading taps and showers expert. We have designed this product with your enjoyment in mind. To ensure that it works to its full potential, it needs to be fitted correctly. These fitting instructions have been created to give you all of the information you need and, if you need any further help, please do not hesitate to give us a call on 0330 026 6273.

2. Safety Note

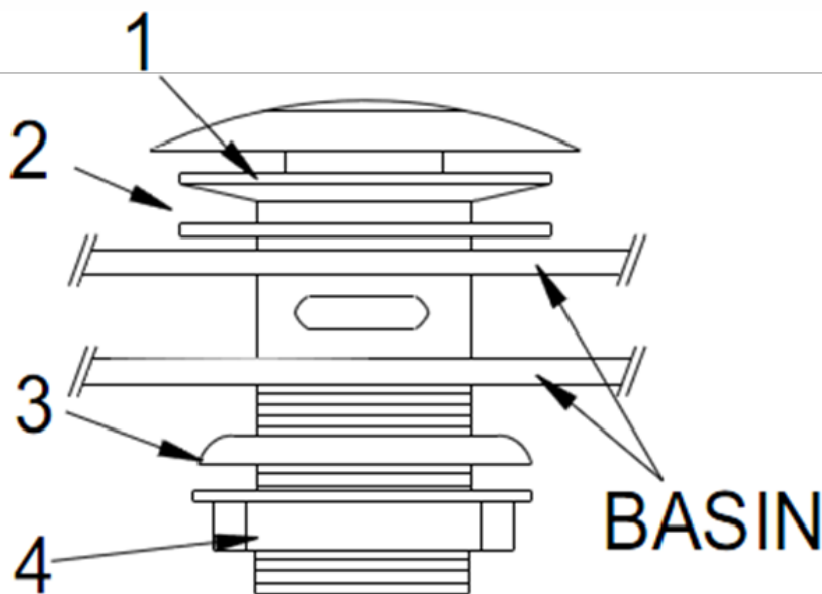
Please read these instruction thoroughly and retain for future use. All products manufactured and supplied by Bristan are safe provided they are installed correctly, used correctly and receive regular maintenance in accordance with these instructions.

3. Specification

Designed to comply with BS EN 274-1:2002 Waste fittings for sanitary appliances.

Installation - W BASIN08 C (slotted)

1. Identify all components are present prior to installation
2. Fit the waste body (1) and rubber washer (2) into the basin
3. Place shaped rubber washer (3) under the basin and secure waste by tightening the back nut (4) as shown in the diagram below.
4. In order to fill the basin, the button in the middle of the waste needs to be pressed down. To release the water, press the button again.
5. Check all joints and connections for leaks.
6. See page 4 for aftercare instructions



Parts contents list

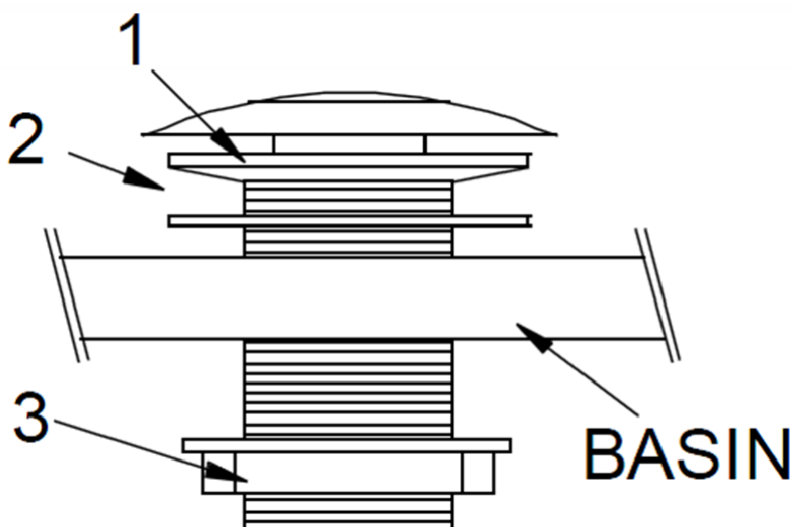
1. Waste body
2. Rubber washer
3. Shaped rubber washer
4. Backnut

Installation Continued - W BASIN09 C (unslotted)

1. Identify all components are present prior to installation
2. Fit the waste body (1) and rubber washer (2) into the basin.
3. Secure waste by tightening back nut (3) as shown in the diagram below.
4. In order to fill the basin, the button in the middle of the waste needs to be pressed down. To release the water, press the button again.
5. Check all joints and connections for leaks.
6. See page 4 for aftercare instructions

IMPORTANT

Due to the design of this waste and the type of basins it is suitable for, e.g. and overflow less glass basin, it is imperative that any water fittings are turned off before the basin is allowed to overflow



Parts contents list

1. Waste Body
2. Rubber Washer
3. Backnut

5. Cleaning & Maintenance

Your fitting has a high quality finish and should be treated with care to preserve the visible surfaces.

All finishes will wear if not cleaned correctly. The only safe way to clean your product is to wipe with a soft damp cloth. Stains can be removed using washing up liquid. All bathroom cleaning product (powders and liquids) will damage the surface of your fitting, even the non-scratch cleaners.

NOTE:- Never use abrasive detergents or disinfectants or those containing alcohol, hydrochloric or phosphoric acid.

Notes:

BRISTAN

This booklet covers product code:

W BASIN08 C (Slotted)

W BASIN 09 C (Unslotted)

Helpline
0330 026 6273

Bristan Group Limited
Birch Coppice Business Park, Dordon, Tamworth, Staffordshire B78
1SG

A Masco Company

Website:

www.bristan.com

Telephone: 0330 026 6273

Email: enquire@bristan.com

At Bristan, we want to make things as easy as possible for our customers. That's why we offer solid guarantees on all our products, effective from the date of purchase, to give you peace of mind.

To start your free guarantee, simply scan the QR code and Register your product.

Alternatively, visit www.bristan.com/register to register your product via a computer.

For full guarantee terms and conditions visit, www.bristan.com/guarantees



We Know & We Care