

# QD EBAS E4 C

## QUADRATO Tap Range Quadrato Basin Mixer Eco4 with Eco-Click & Pop-up Waste Chrome



### Features:

- Supplied with metal handles
- Supplied with metal fixing nuts
- Includes eco-click water saving feature. Cartridge offers subtle resistance as it reaches approximately half of its full flow capability, saving water
- Product supplied with either a 3.5 or 6 litre per minute flow regulator which can be fitted to the spout outlet to reduce water consumption and increase water efficiency (Flow Regulator accurate +/- 10%)

### Product Certifications:



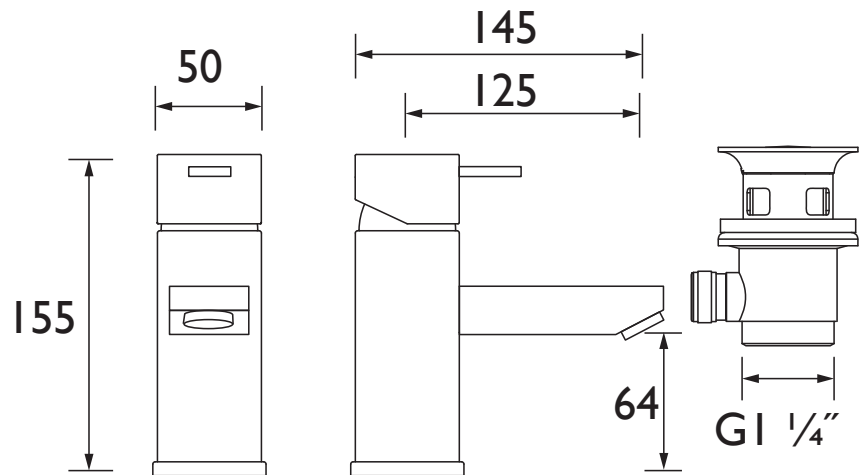
For more products, visit our website:  
<http://www.bristan.com>



### Specification

<b>Product Type:</b>	Quadrato
<b>Main Construction Material:</b>	Brass
<b>Mount Type:</b>	Deck
<b>Handle Type:</b>	Lever
<b>Connection Inlet:</b>	M10 x 350mm 1/2" BSP Flexi Tails
<b>Connection Outlet:</b>	3.5l/min Flow Limiting M24 Flow Straightener
<b>Number of Tap Holes:</b>	1
<b>Valve/Cartridge Type:</b>	35mm Cartridge
<b>Plumbing System Requirements:</b>	Suitable for all plumbing systems, ideally balanced
<b>Minimum Dynamic Pressure (bar):</b>	0.5 bar
<b>Maximum Dynamic Pressure (bar):</b>	5.0 bar
<b>Maximum Hot Water Temperature °C:</b>	65°C
<b>Maximum Static Pressure (bar):</b>	10 bar
<b>Flow Type:</b>	Single
<b>Isolation Included:</b>	No

### Dimensions (measurements in mm)



### Flow Rates (l/min)

System Pressure (bar)	0.5	1	2	3	5
QD EBAS E4 C (mixed)	3.5	3.5	3.5	3.5	3.5

## TECHNICAL DATA SHEET



# BRISTAN

D4