

PM BAS E6 C

PRISM Tap Range Prism Basin Mixer Eco6 with Pop-up Waste Chrome



Features:

- Supplied with Pop-up waste
- Supplied with metal handle
- Product supplied with either a 4 or 6 litre per minute flow regulator which can be fitted to the spout outlet to reduce water consumption and increase water efficiency (Flow Regulator accurate +/- 10%)

Product Certifications:



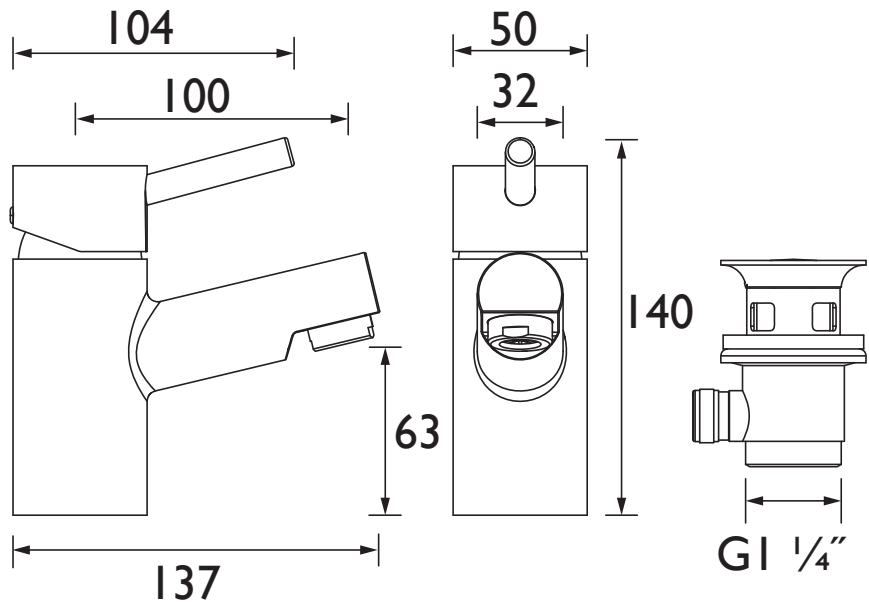
For more products, visit our website:
<http://www.bristan.com>



Specification

| | |
|-----------------------------------|-----------------------------------|
| Product Type: | Taps |
| Main Construction Material: | Brass |
| Mount Type: | Deck Mounted |
| Handle Type: | Lever Handles |
| Connection Inlet: | M10 x 265mm Copper Tail |
| Connection Outlet: | M24 Flow Straightener |
| Number of Tap Holes: | 1 |
| Valve/Cartridge Type: | 40mm Ceramic Disc Valve |
| Plumbing System Requirements: | Suitable for all plumbing systems |
| Minimum Dynamic Pressure (bar): | 0.2 bar |
| Maximum Dynamic Pressure (bar): | 5.0 bar |
| Maximum Hot Water Temperature °C: | 65°C |
| Maximum Static Pressure (bar): | 10 bar |
| Flow Type: | Single Flow |
| Isolation Included: | No |

Dimensions (measurements in mm)



Flow Rates (l/min)

| System Pressure (bar) | 0.2 | 0.5 | 1 | 2 | 3 | 5 |
|-----------------------|-----|-----|---|---|---|---|
| PM BAS E6 C (mixed) | 6 | 6 | 6 | 6 | 6 | 6 |

TECHNICAL DATA SHEET



BRISTAN

D5