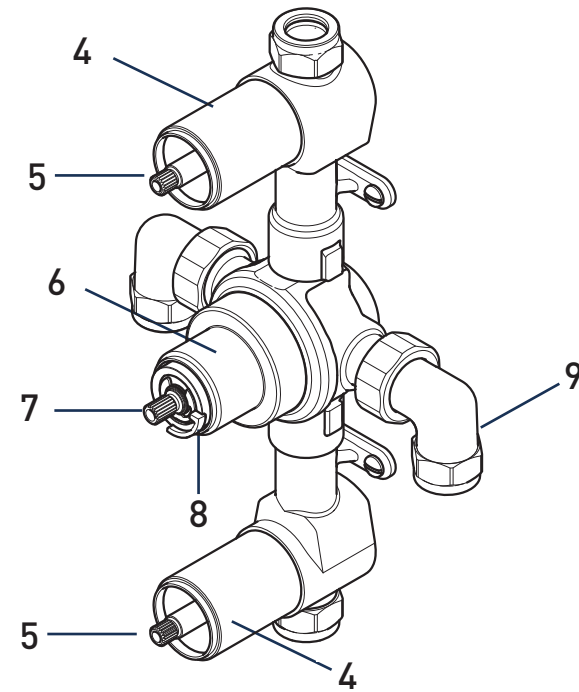
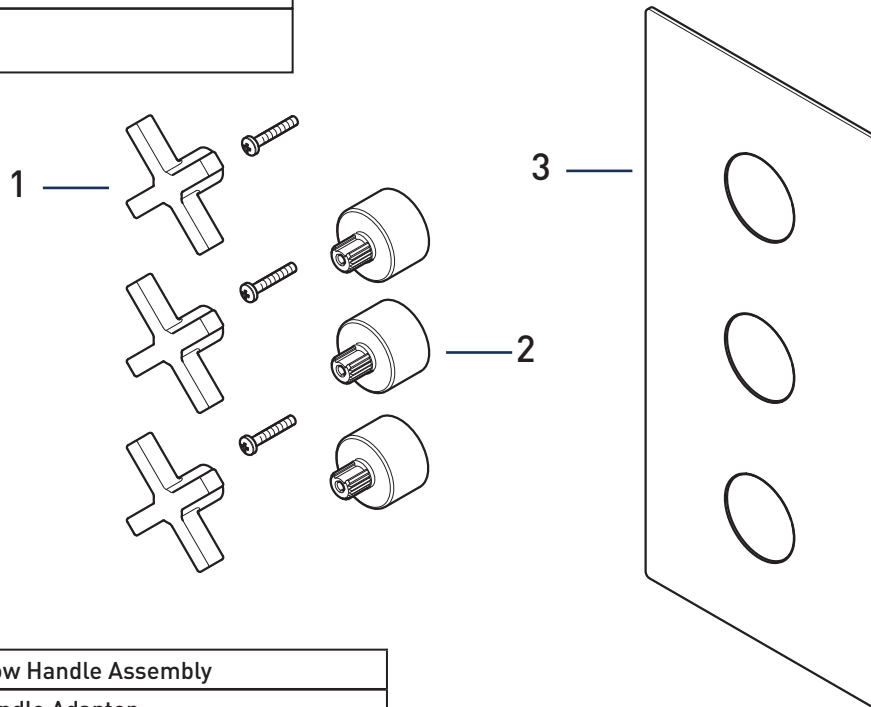


Product Code: CAS SHC3STP C

Revision: D3



1	Flow Handle Assembly
2	Handle Adaptor
3	Concealing Plate
4	Valve Shroud
5	Valve
6	Temperature Shroud
7	Thermostatic Cartridge
8	Temperature Stop
9	Elbow Assy (Pair)
10	Fixings
11	Wall Outlet
12	Filter Washers
13	Flow Regulator
14	Flow Regulator
15	Inserts

