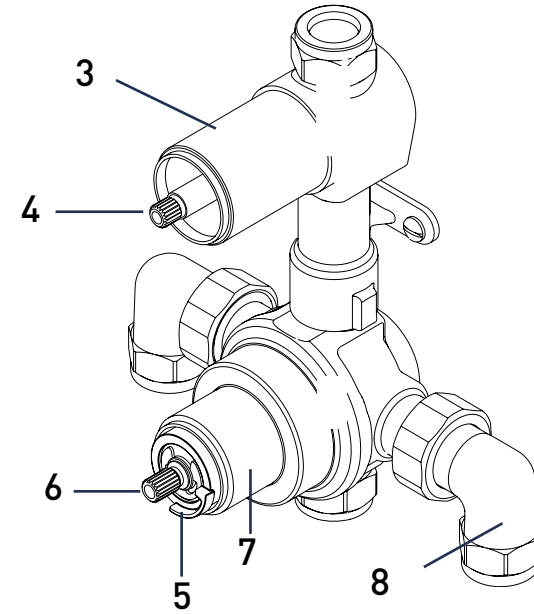
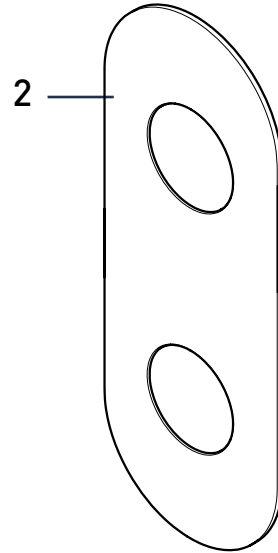
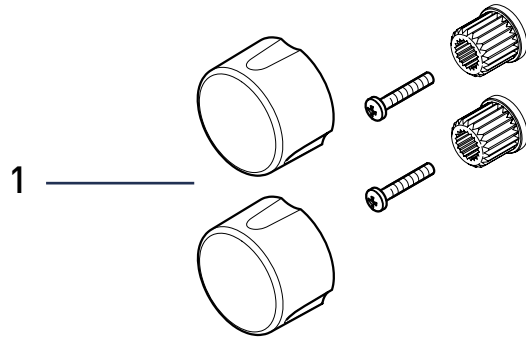


Product Code: PIV SHCVO C

Revision: D4



1	Handle Assembly
2	Concealing Plate
3	Flow Shroud
4	Flow Valve
5	Temperature Stop
6	Thermostatic Cartridge
7	Temperature Shroud
8	Elbow Assey (Pair)
9	Fixings
10	Wall Outlet
11	Filter Washers
12	Flow Regulator
13	Flow Regulator
14	Inserts

