

EBY FSBSM C

EBONY Tap Range Ebony Floor Standing Bath Shower Mixer Chrome



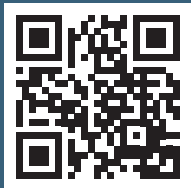
Features:

- Long life ceramic cartridge for added durability and ease of use
- Includes 1.5m hose and rub-clean anti-limescale handset
- Minimum working pressure of 2.0 bar

Product Certifications:



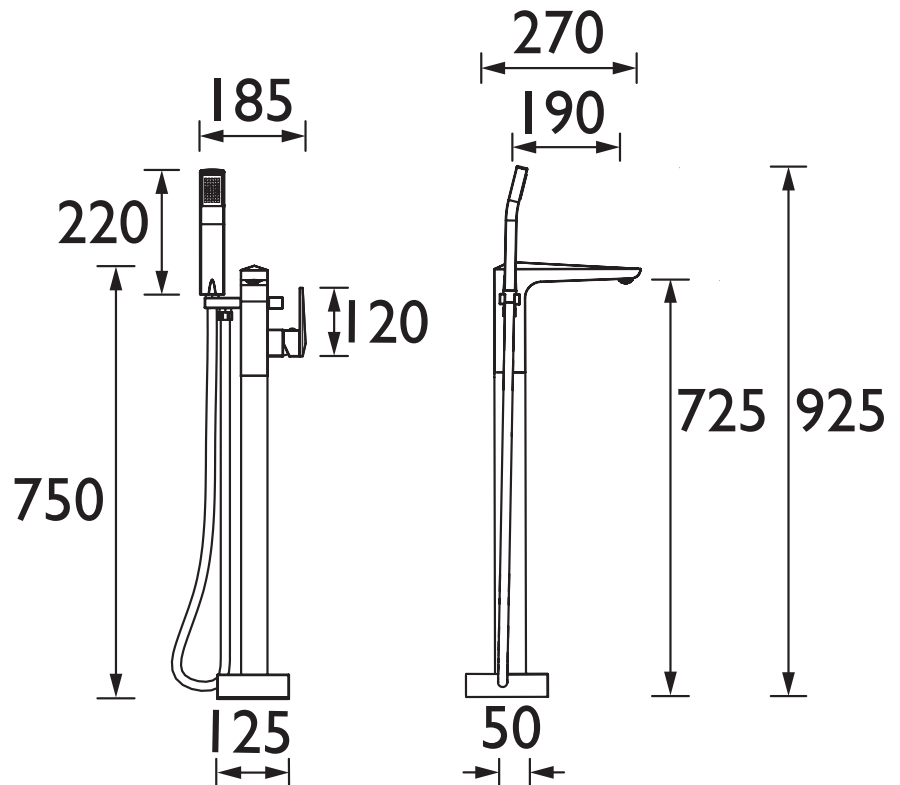
For more products, visit our website:
<http://www.bristan.com>



Specification

Product Type:	Bathroom Tap
Main Construction Material:	Brass
Mount Type:	Floor Mounted
Handle Type:	Lever Handles
Connection Inlet:	1/2" BSP
Connection Outlet:	M28 Flow Straightener
Number of Tap Holes:	0
Valve/Cartridge Type:	40mm Single Lever Cartridge
Plumbing System Requirements:	Suitable for high pressure systems
Minimum Dynamic Pressure:	2.0 Bar
Maximum Dynamic Pressure:	5.0 Bar
Maximum Hot Water Temperature: °C	65
Maximum Static Pressure: (bar)	10
Flow Type:	Single Flow
Isolation Included:	No

Dimensions (measurements in mm)



Flow Rates (l/min)

System Pressure (bar)	2	3	5
EBY FSBSM C	13.8	16.8	21.9

TECHNICAL DATA SHEET



BRISTAN

D5