

SAI WMBAS C

SAIL Tap Range Sail Wall Mounted Basin Mixer Chrome



Features:

- Chrome plated to BS EN 248
- Requires a 1/2" BSP to 15mm connection adaptor (not supplied)

Product Certifications:



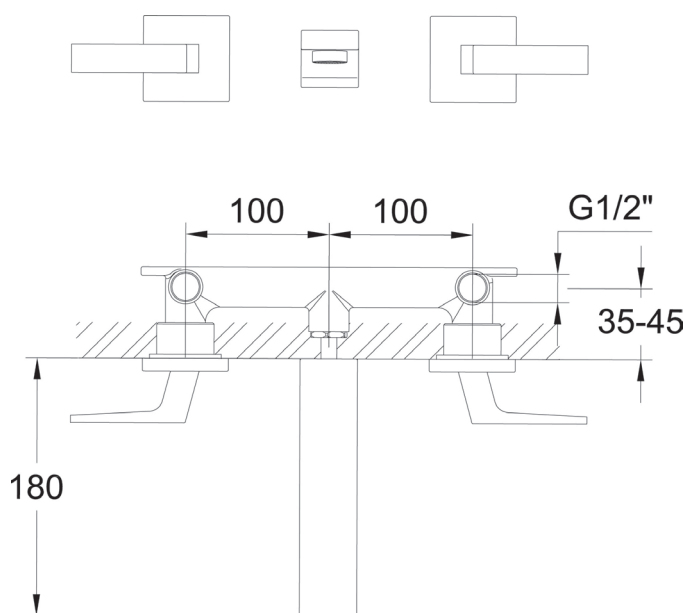
For more products, visit our website:



Specification

Style:	Contemporary
Product Type:	Bathroom Taps
Finish/Colour:	Chrome
Main Construction Material:	Brass
Mount Type:	Wall Mounted
Handle Type:	Lever
Connection Inlet:	15mm Connections
Number of Tap Holes Required:	3
Valve/Cartridge Type:	1/2" Ceramic Disc Valve
Plumbing System Suitability	All
Working Pressure Range:	Min.0.2 bar, Max.5.0 bar
Maximum Hot Water Temperature: °c	65
Maximum Dynamic Pressure: (bar)	5
Maximum Static Pressure: (bar)	10
Flow Type:	Single
Flow Rate: (l/min @ 3 bar)	33.5
Connection Outlet:	N/A
Isolation Included:	No

Dimensions (measurements in mm)



Flow Rates (l/min)

System Pressure (bar)	0.2	0.5	1	2	3	5
SAI WMBAS C (Mixed)	7.1	10.5	17.3	26	33.5	43.5
SAI WMBAS C (Hot)	5.5	9.1	13.3	19.1	23.3	30.9
SAI WMBAS C (Cold)	4.8	7.8	12.4	18.1	23.5	31.6

TECHNICAL
DATA
SHEET



BRISTAN
TAPS & SHOWERS

D2

