

# SAI FSBSM C

## SAIL Tap Range Sail Floor Standing Bath Shower Mixer Chrome



### Features:

- Long life ceramic cartridge for added durability and ease of use
- Metal fixing nut for added durability
- Includes 1.5m hose and rub-clean anti-limescale handset
- Minimum working pressure of 2.0 bar

### Product Certifications:



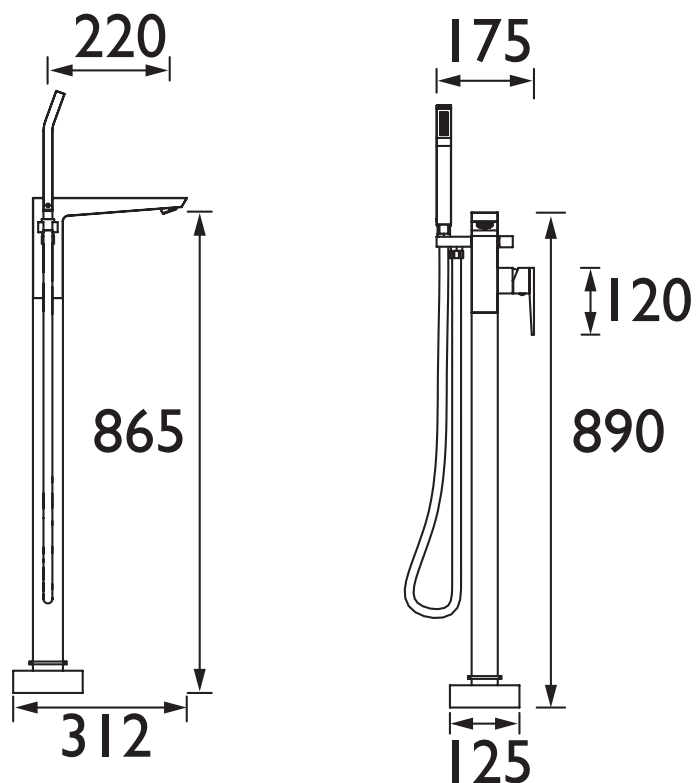
For more products, visit our website:  
<http://www.bristan.com>



### Specification

<b>Product Type:</b>	Floor Standing Bath Shower Mixer
<b>Main Construction Material:</b>	Brass
<b>Mount Type:</b>	Deck Mounted
<b>Handle Type:</b>	Square
<b>Connection Inlet:</b>	1/2" BSP
<b>Connection Outlet:</b>	N/A
<b>Number of Tap Holes:</b>	1
<b>Valve/Cartridge Type:</b>	40mm Cartridge
<b>Plumbing System Requirements:</b>	Suitable for high pressure systems
<b>Minimum Dynamic Pressure:</b>	2.0 Bar
<b>Maximum Dynamic Pressure:</b>	5.0 Bar
<b>Maximum Hot Water Temperature: °C</b>	65
<b>Maximum Static Pressure: (bar)</b>	10
<b>Flow Type:</b>	Single
<b>Isolation Included:</b>	No

### Dimensions (measurements in mm)



### Flow Rates (l/min)

System Pressure (bar)	2	3	5
SAI FSBSM C	19	23.4	30.4

## TECHNICAL DATA SHEET



# BRISTAN

D3