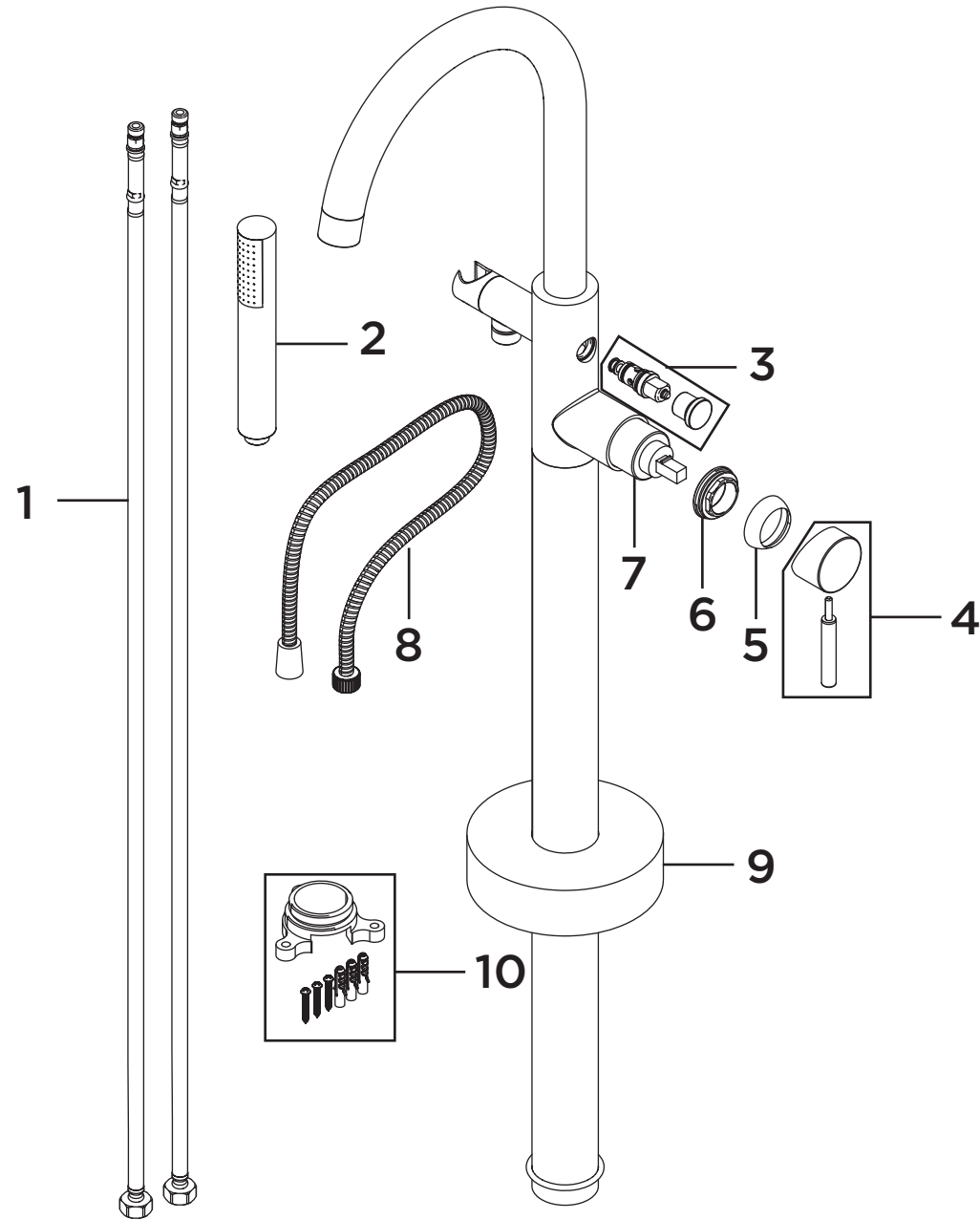


Product Code: PM FSBSM C

Revision: D2



1	1/2" BSP Flexible Tails (Pair)
2	Single Function Handset
3	Diverter Assembly
4	Handle Assembly
5	Shroud
6	Cartridge Retaining Nut
7	40mm Stepped Cartridge
8	1.5m Cone to Nut Hose
9	Plinth
10	Fixing Base inc. Screws