

OP TS1503 CL C

OPAC Shower Range TS1503 Opac Lever Concealed Shower Valve



Specification

Finish/Colour:	Chrome
Main Construction Material:	Brass
No of Controls:	1
Shower Type:	Concealed Lever Shower
Valve/Cartridge Type:	Thermostatic
Maximum Hot Water Supply Temperature °C:	80
Maximum Static Pressure: (bar)	10
Plumbing System Suitability:	Suitable for all plumbing systems
Minimum Dynamic Pressure: (Bar)	0.2
Maximum Dynamic Pressure: (Bar)	5.0
Connection Inlet:	15mm compression elbows
Connection Outlet:	1/2" BSP
Isolation Valve Included:	No
Check Valve Included:	Yes

Features:

- Anti-vandal stainless steel removable concealing plate
- Easy access self-isolating serviceable filters
- Single sequential control for both temp and flow
- High performance even at low pressures
- Check valves and serviceable filters as standard

Product Certifications:



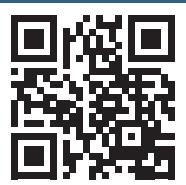
WRAS Cert. Number: 1812703
WRAS Expiry Date: 31/12/2023



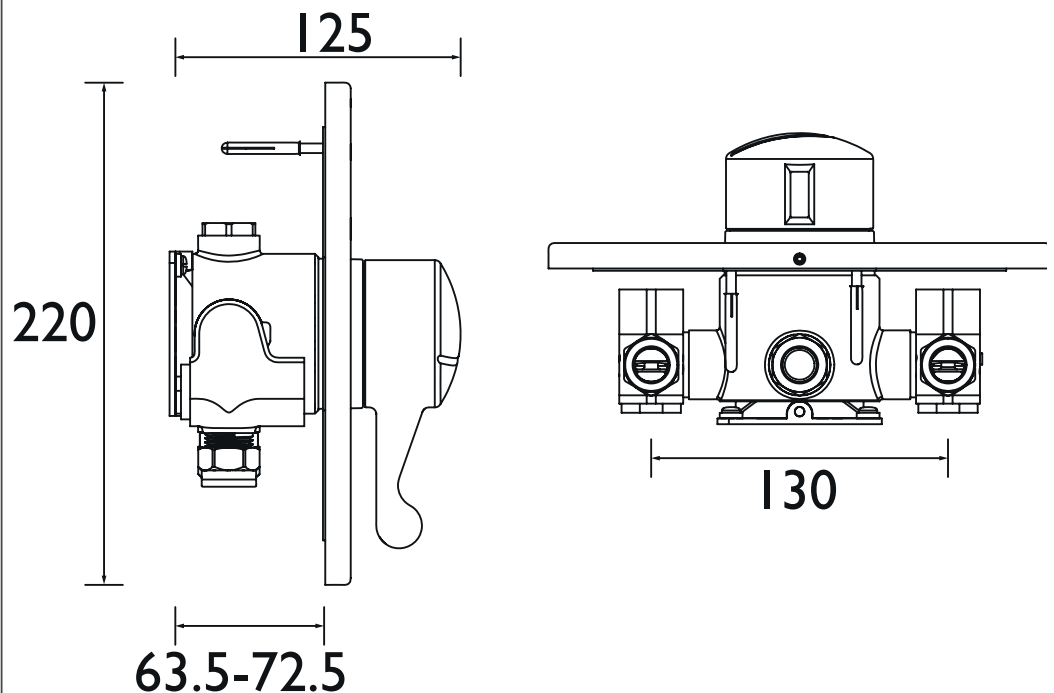
TMV3 Cert. Number: NSF2014/0718
TMV3 Expiry Date: 06/07/2023



For more products, visit our website:
<http://www.bristan.com>



Dimensions (measurements in mm)



Flow Rates (l/min)

System Pressure (bar)	0.2	0.5	1	2	3	5
OP TS1503 CL C	12	18	29	42	52	66
Flow Limiters Fitted	4.6	6.8	7.1	8.1	8.6	9.0

TECHNICAL DATA SHEET



BRISTAN

D6