

VTX 1/2 C

VANTAGE Tap Range Vantage Easyfit Basin Taps with Cross-Head Chrome Handles



Features:

- Unique patented technology
- Ceramic disc valves for added durability and ease of use
- Supplied with easy to use metal cross head handles
- Chrome plated to BS EN 248

Product Certifications:



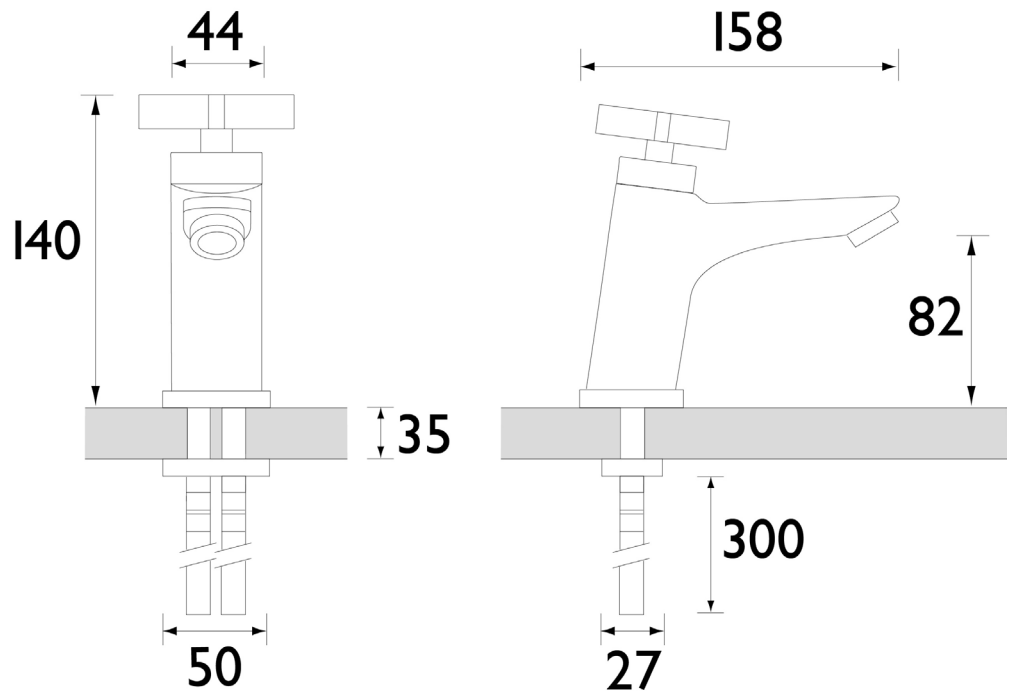
For more products, visit our website:
<http://www.bristan.com>



Specification

Product Type:	Bathroom
Main Construction Material:	Brass
Mount Type:	Deck Mounted
Handle Type:	Cross Head Handle
Connection Inlet:	15mm Flexible Connecting Pipes
Connection Outlet:	M24 Flow Straightener
Number of Tap Holes:	2
Valve/Cartridge Type:	1/2" Ceramic Disc Valves
Plumbing System Requirements:	All - Ideally Balanced
Working Pressure Range:	Min 0.2 Bar - Max 5.0 Bar
Maximum Hot Water Temperature: °C	60
Maximum Static Pressure: (bar)	10
Flow Type:	Single Flow
Isolation Included:	Yes

Dimensions (measurements in mm)



Flow Rates (l/min)

System Pressure (bar)	0.2	0.5	1	2	3	5
VTX 1/2 C	4.5	9.8	14	20	24.7	31.7

TECHNICAL DATA SHEET



BRISTAN

D5