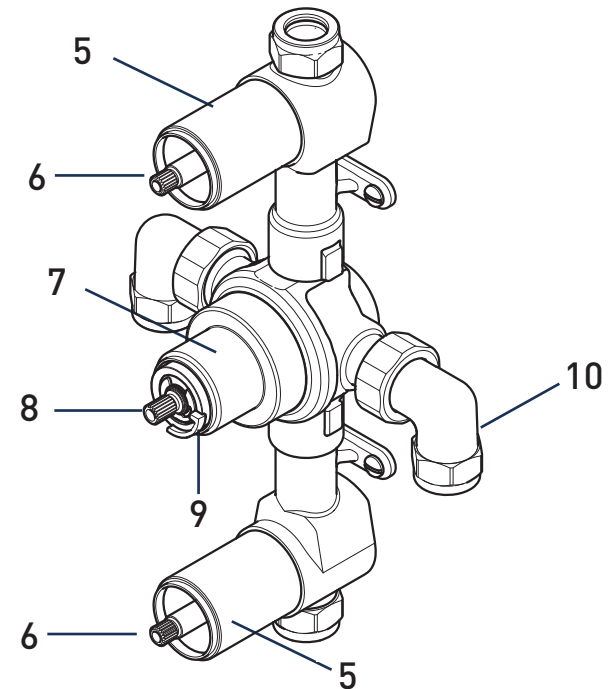
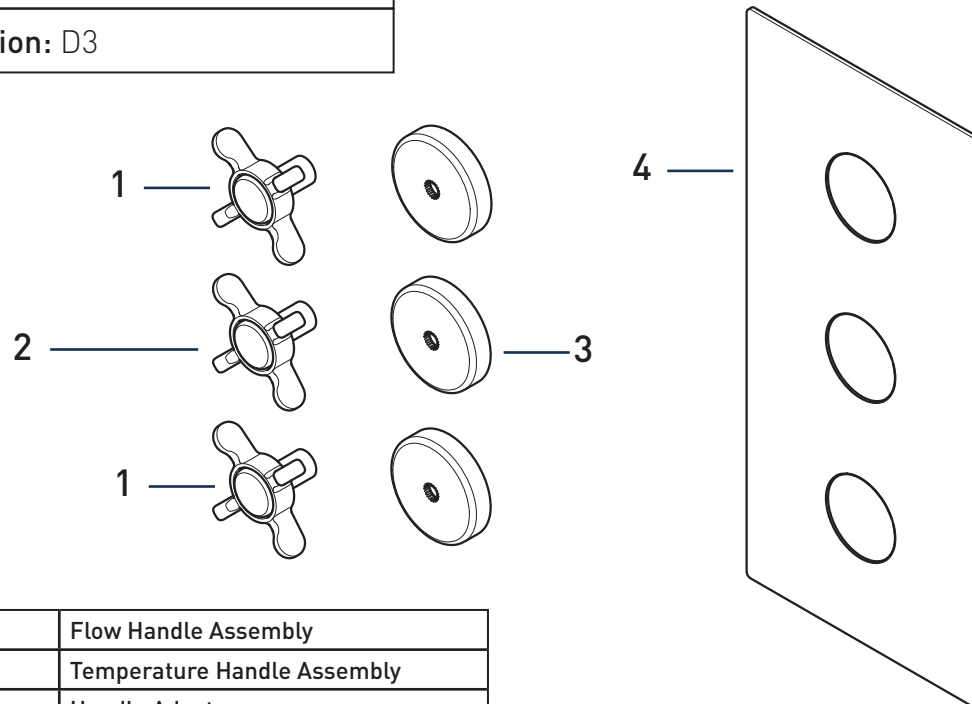


Product Code: N2 SHC3STP C / G

Revision: D3



1	Flow Handle Assembly
2	Temperature Handle Assembly
3	Handle Adaptor
4	Concealing Plate
5	Valve Shroud
6	Valve
7	Temperature Shroud
8	Thermostatic Cartridge
9	Temperature Stop
10	Elbow Assey (Pair)
11	Fixings
12	Wall Outlet
13	Filter Washers
14	Flow Regulator
15	Flow Regulator
16	Inserts

