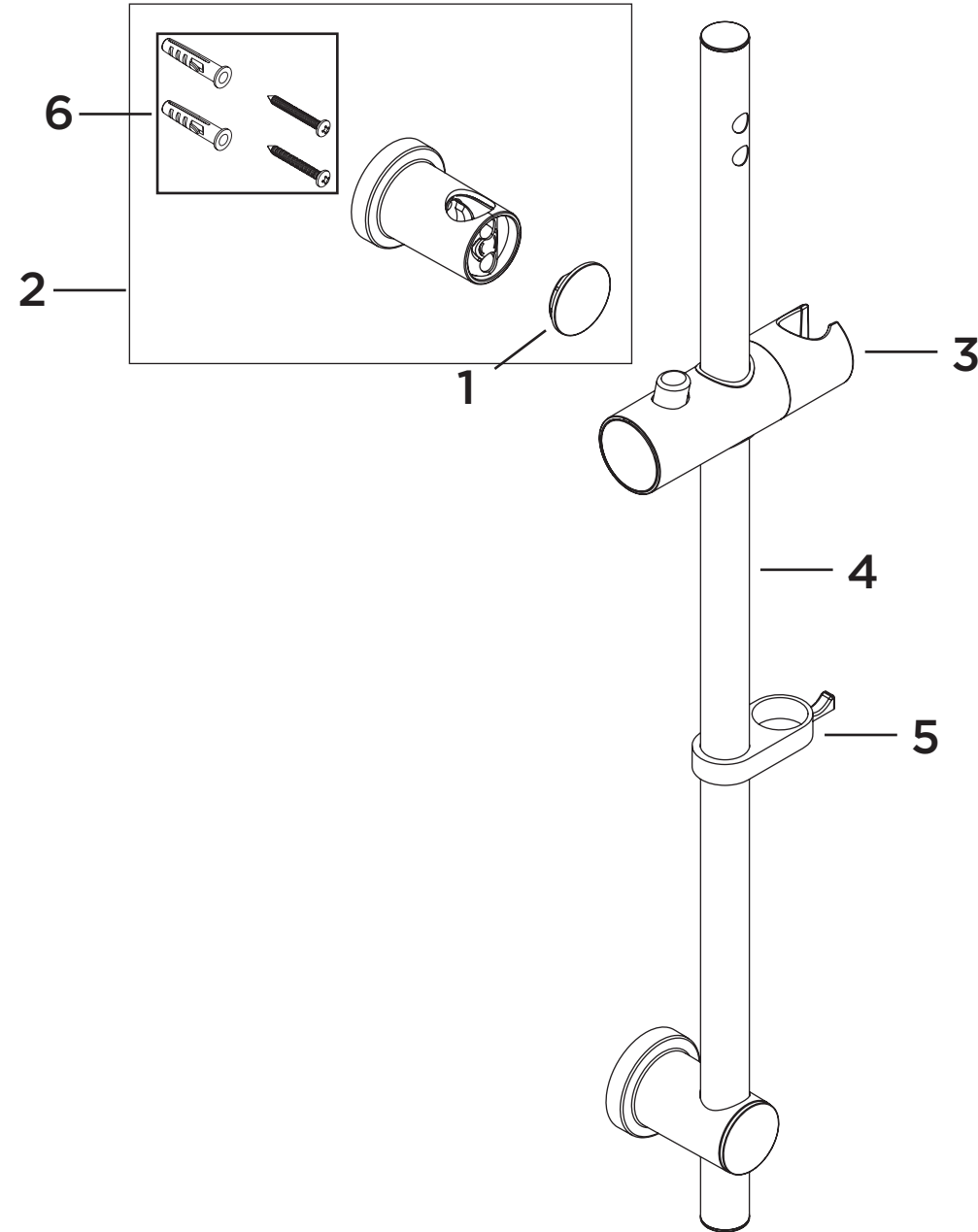


Product Code: CAS RRAIL02 C**Revision:** D2

1	Bracket Caps (Pair)
2	Wall Bracket Assembly
3	Handset Slider
4	Riser Rail
5	Hose Retainer
6	Screw pack for Brackets