

AR2 THBAS C

ARTISAN Tap Range Artisan TMV2 Thermostatic Basin Mixer Chrome



Specification

Style:	Contemporary
Product Type:	Basin Mixer
Main Construction Material:	Brass
Mount Type:	Deck Mounted
Handle Type:	Lever
Connection Inlet:	15mm Copper Connecting Pipes
Connection Outlet:	M24 Flow Straightener
Number of Tap Holes:	1
Valve/Cartridge Type:	Thermostatic
Plumbing System Requirements:	Balanced System
Working Pressure Range:	Min. 0.2 bar, Max. 5.0 bar
Maximum Hot Water Temperature: °C	65
Maximum Dynamic Pressure: (bar)	5
Maximum Static Pressure: (bar)	10
Flow Type:	Single
Flow Rate: (l/min @ 3 bar)	21.8
Isolation Included:	No

Features:

- Metal Fixing nut
- Dual control
- Pre-set maximum temperature at 38c can be overridden by the user
- Operates at a minimum pressure of 0.5 bar

Product Certifications:



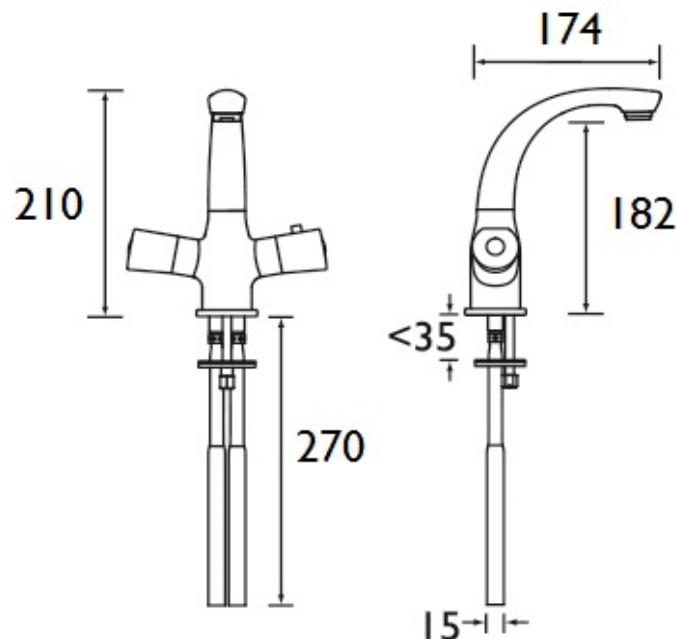
WRAS Certificate No: 1407011
WRAS Expiry Date: 31/07/2019



TMV2 Certificate No: 1370/0514



Dimensions (measurements in mm)



Flow Rates (l/min)

System Pressure (bar)	0.5	1	2	3	5
AR2 THBAS C	7.9	12.1	17.8	21.8	28.1

For more products, visit our website:
<http://www.bristan.com>



TECHNICAL
DATA
SHEET



BRISTAN
TAPS & SHOWERS D4