

AR2 THLBAS C

ARTISAN Tap Range Artisan TMV2 Thermostatic Lever Handle Basin Mixer Chrome



Features:

- TMV2 thermostatic control for a higher level of performance and protection
- Dual control - flow and temperature are controlled separately
- Pre-set maximum temperature at 38°C can be overridden by the user
- Minimum working pressure of 0.5 bar
- Metal fixing nut for added durability

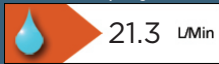
Product Certifications:



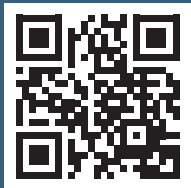
WRAS Cert No: 1906905
WRAS Expiry Date: 30/06/2024



TMV2 Cert No: NSF2144/0619
TMV2 Expiry Date: 13/06/2024



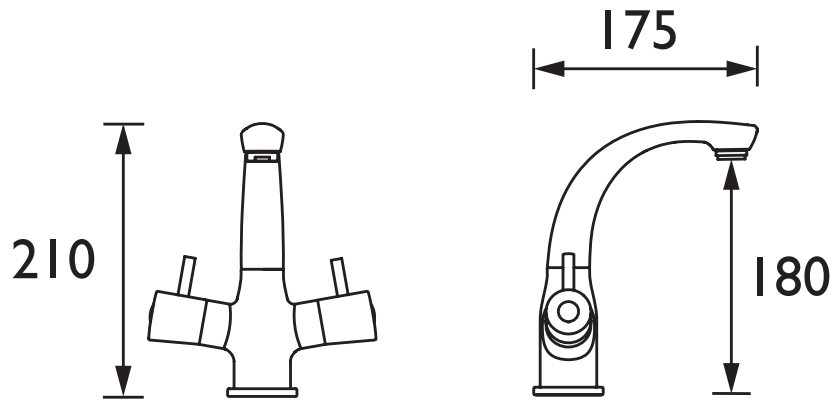
For more products, visit our website:
<http://www.bristan.com>



Specification

Product Type:	Bathroom Taps
Main Construction Material:	Brass
Mount Type:	Deck
Handle Type:	Lever
Connection Inlet:	15mm Copper Connecting Pipes
Connection Outlet:	M24 Flow Straightener
Number of Tap Holes:	1
Valve/Cartridge Type:	Thermostatic Cartridge & 1/2" Ceramic Disc Valve
Plumbing System Requirements:	Suitable for balanced systems
Working Pressure Range:	Min 0.2 bar, Max 5 bar
Maximum Hot Water Temperature: °C	65
Maximum Static Pressure: (bar)	10
Flow Type:	Single
Isolation Included:	No

Dimensions (measurements in mm)



Flow Rates (l/min)

System Pressure (bar)	0.2	0.5	1	2	3	5
AR2 THLBAS C	3.2	7.9	12.1	17.8	21.8	28.1

TECHNICAL DATA SHEET



BRISTAN

TAPS & SHOWERS

D6