

EBY 3HBF C

EBONY Tap Range Ebony 3 Hole Bath Filler Chrome



Features:

- Metal Backnuts
- Ceramic Disc
- 3/4" valve

Product Certifications:



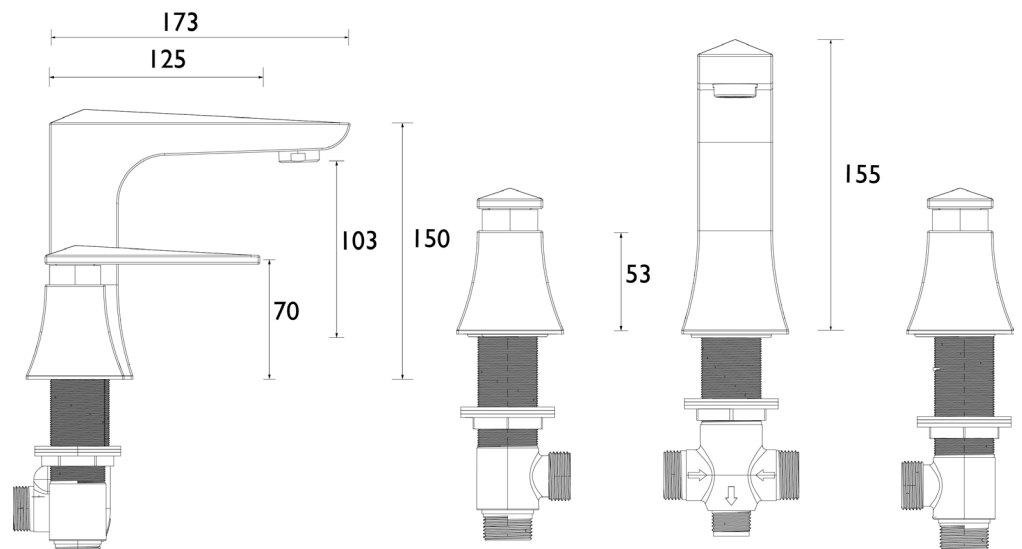
For more products, visit our website:
<http://www.bristan.com>



Specification

Style:	Contemporary
Product Type:	Bath Filler
Finish/Colour:	Chrome
Main Construction Material:	Brass
Mount Type:	Deck
Handle Type:	Lever
Connection Inlet:	3/4" BSP
Number of Tap Holes:	3
Valve/Cartridge Type:	Manual
Plumbing System Requirements:	All
Working Pressure Range:	Min. 0.3, Max. 5.0 Bar
Maximum Hot Water Temperature: °C	65
Maximum Dynamic Pressure: (bar)	5
Maximum Static Pressure: (bar)	10
Flow Type:	Single
Isolation Included:	No

Dimensions (measurements in mm)



Flow Rates (l/min)

System Pressure (bar)	0.3	0.5	1	2	3	5
EBY 3HBF C	19.9	32.1	46.4	65.6	80.3	103.7

TECHNICAL
DATA
SHEET



BRISTAN

D2