

# EBY 3HBAS C

## EBONY Tap Range Ebony 3 Hole Basin Mixer Chrome

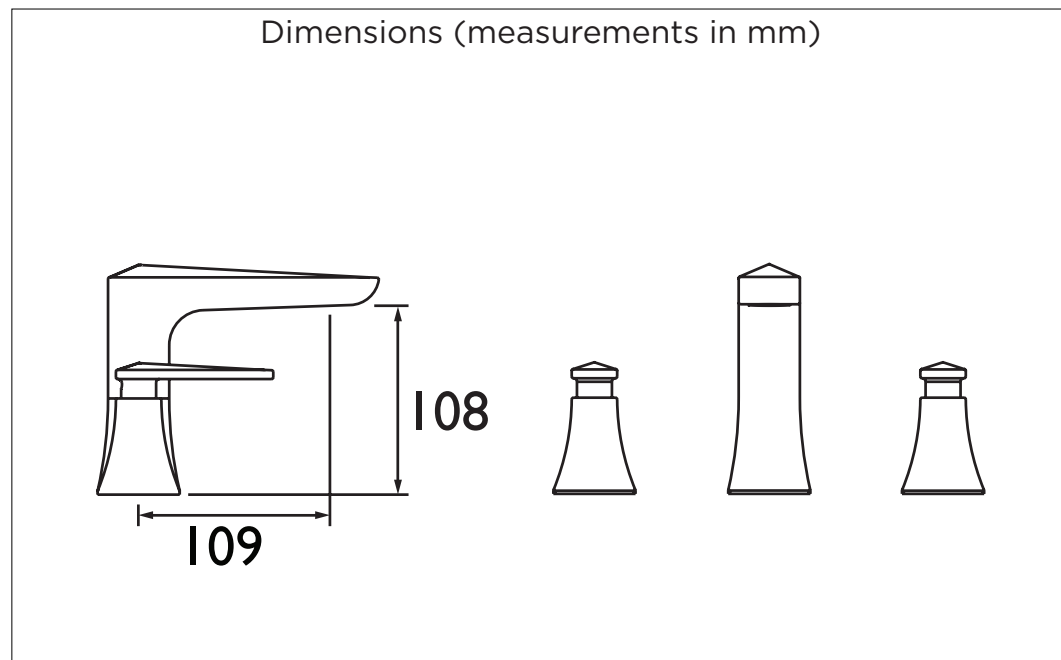


Specification	
Style:	Traditional
Product Type:	Basin Mixer
Finish/Colour:	Chrome
Main Construction Material:	Brass
Mount Type:	Deck Mounted
Handle Type:	Lever Turn
Connection Inlet:	1/2x1/2x300mm Flexi Tails
Number of Tap Holes Required:	3
Valve/Cartridge Type:	1/4 Turn 1/2" CD Valve
Plumbing System Suitability	All
Working Pressure Range:	Min. 0.2, Max. 5.0 Bar
Maximum Hot Water Temperature: °c	65
Maximum Dynamic Pressure: (bar)	5
Maximum Static Pressure: (bar)	10
Flow Type:	Single
Flow Rate: (l/min @ 3 bar)	49.44
Connection Outlet:	N/A
Isolation Included:	No

### Features:

- Metal Backnuts
- Ceramic Disc
- 1/2" valve

### Product Certifications:



For more products, visit our website:



Flow Rates (l/min)						
System Pressure (bar)	0.2	0.5	1	2	3	5
EBY 3HBAS C (Mixed)	11.65	19.6	28.4	41.25	49.44	64
EBY 3HBAS C (Hot)	5.70	9.6	13.9	20.5	24.9	30.9
EBY 3HBAS C (Cold)	5.95	10	28.4	41.25	49.44	64

TECHNICAL  
DATA  
SHEET



**BRISTAN**  
TAPS & SHOWERS

D2