

# N BSM G CD

## 1901 Tap Range 1901 Bath Shower Mixer with Ceramic Disc Valves Gold



### Features:

- Long life and easy to use 1/4 turn ceramic disc valves
- Metal handles
- Metal back nuts for added durability

### Product Certifications:



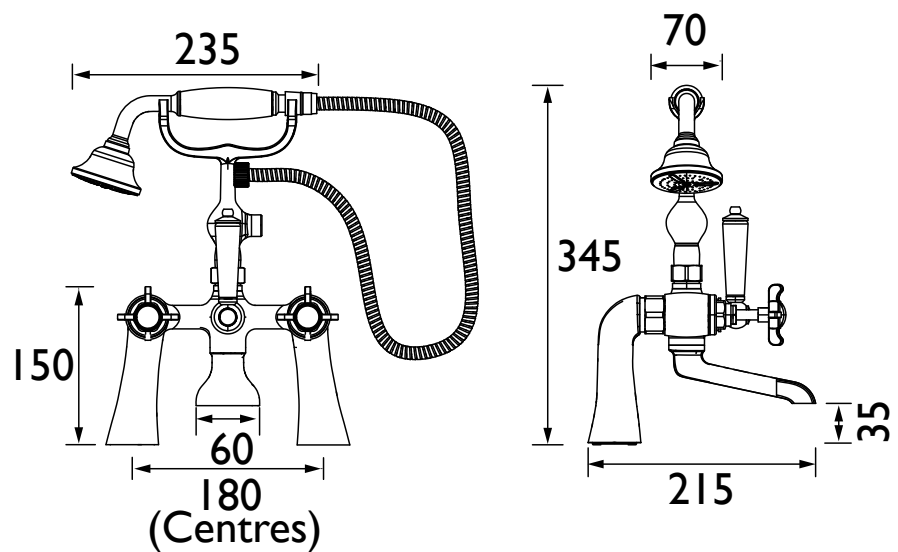
For more products, visit our website:  
<http://www.bristan.com>



### Specification

Product Type:	Taps
Main Construction Material:	Brass
Mount Type:	Deck
Handle Type:	Crosshead
Connection Inlet:	3/4" BSP
Connection Outlet:	N/A
Number of Tap Holes:	2
Valve/Cartridge Type:	Manual
Plumbing System Requirements:	Suitable for all plumbing systems
Minimum Dynamic Pressure (bar):	0.2 bar
Maximum Dynamic Pressure (bar):	5.0 bar
Maximum Hot Water Temperature °C:	65°C
Maximum Static Pressure (bar):	10 bar
Flow Type:	Single
Isolation Included:	No

### Dimensions (measurements in mm)



### Flow Rates (l/min)

System Pressure (bar)	0.2	0.5	1	2	3	5
Through Bath Filler (mixed)	24.1	38.1	53.9	76.3	93.4	120.6
Through Handset (mixed)	7.1	11.2	15.9	22.5	27.5	35.5

## TECHNICAL DATA SHEET



# BRISTAN

D4