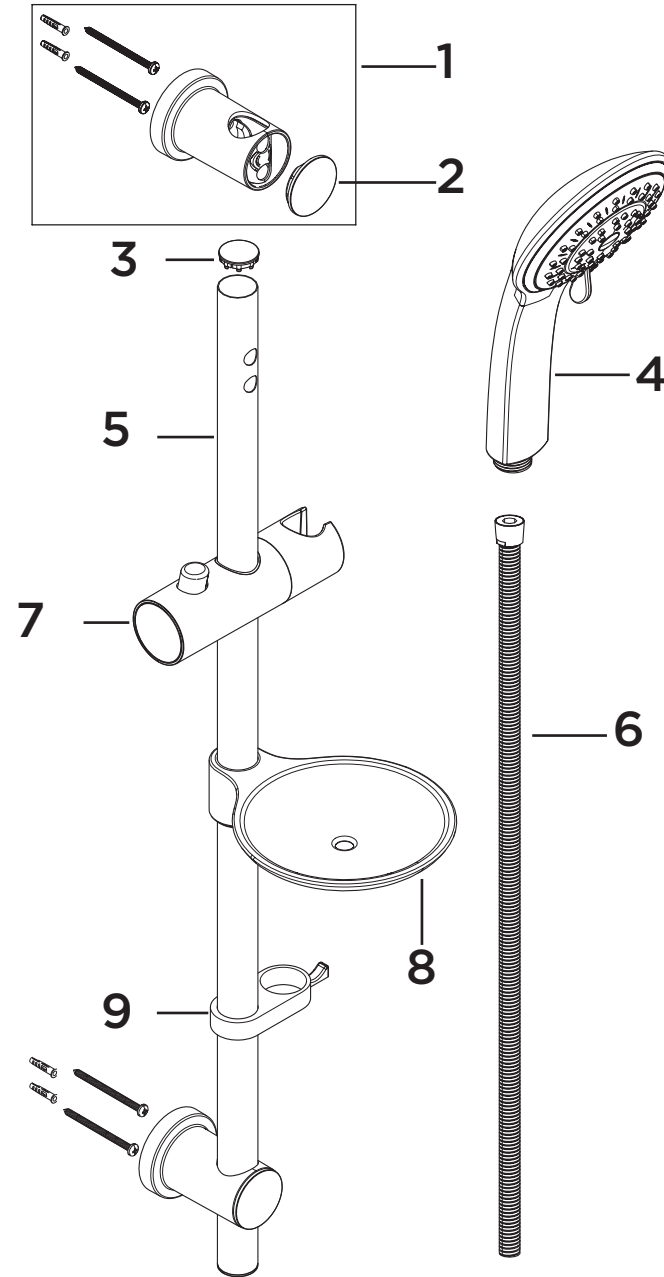


Product Code: CAS KIT03 C

Revision: D3.2



1	Wall Bracket Assembly
2	Wall Bracket Cap
3	Riser Rail End Cap
4	Casino 3 Function Large Handset
5	Riser Rail
6	1.75m Cone to Nut Hose
7	Slider Bracket
8	Soap Dish
9	Casino Hose Retainer