

# CAS HAND02 C

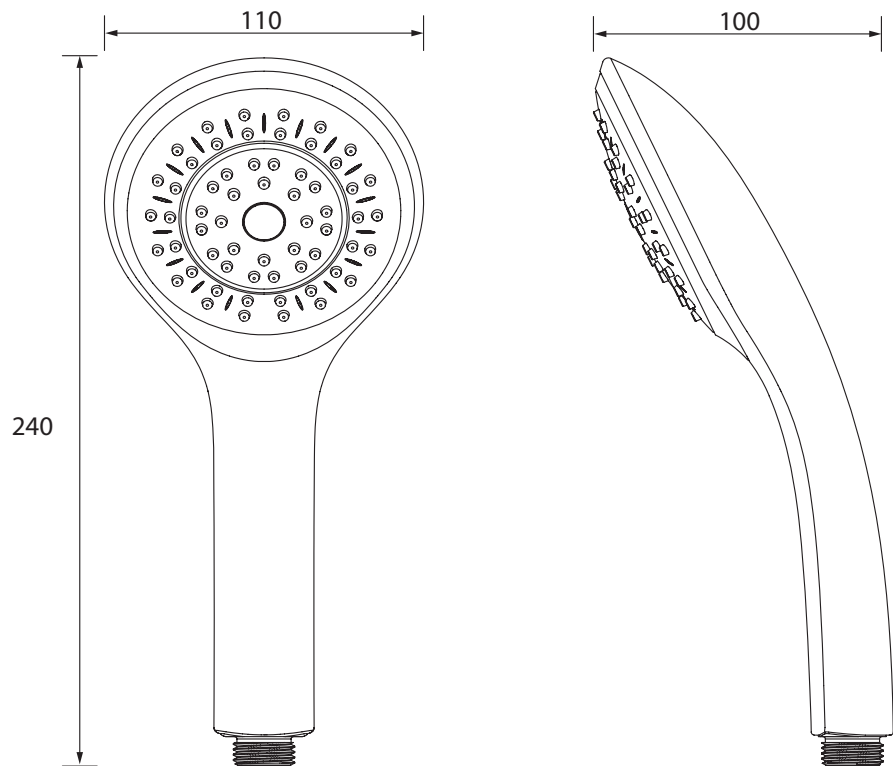
## CASINO Shower Range Casino Single Function Large Handset Chrome



### Specification

|                             |               |
|-----------------------------|---------------|
| Style:                      | Contemporary  |
| Finish/Colour:              | Chrome Plated |
| Main Construction Material: | ABS           |
| Connection Inlet:           | G 1/2"        |

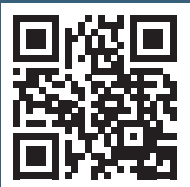
### Dimensions (measurements in mm)



### Features:

- Clam packed

For more products, visit our website:  
<http://www.bristan.com>



TECHNICAL  
DATA  
SHEET



**BRISTAN**  
TAPS & SHOWERS

D1