

KN2 SHXRR C

COLONIAL Shower Range Colonial2 Thermostatic Shower Valve with Rigid Riser Chrome



Features:

- All in one box - pack includes shower valve, rigid riser rail and a fixed head so nothing to buy separately
- Easy installation with adjustable elbow inlets which enable you to use on existing pipework centres between 110mm and 155mm so there's no need for retiling
- A hard-wearing, flawless, scratch resistant chrome finish that lasts for years. Salt spray tested to ensure added durability.
- Thermostatic cartridge with preset temperature safety stop at 42°C for family-safe showering.
- Automatic shut-off in the event of hot or cold water supply failure for family safe showering.

Product Certifications:



WRAS Certificate No: 240403011
WRAS Expiry Date: 30/04/2029

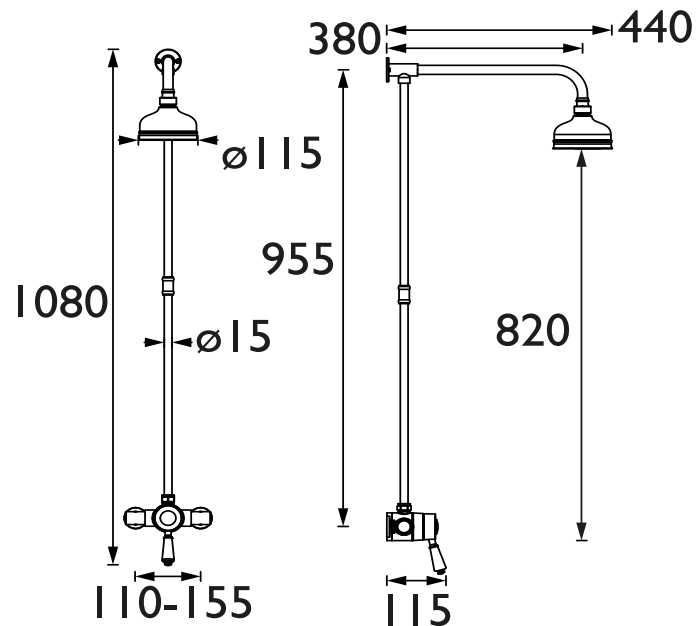
TMV2 Certificate No: 2503305
TMV2 Designation: HP-SE
TMV2 Expiry Date: 16/03/2030



Specification

Finish/Colour:	Chrome Plated
Main Construction Material:	Brass
No of Controls:	2
Shower Type:	Sequential Mini Valve
Shower Head Type:	Fixed Head
Shower Kit:	Rigid Riser
Valve/Cartridge Type:	Concentric Cartridge
Maximum Hot Water Supply Temperature °C:	60
Plumbing System Suitability:	Suitable for high pressure systems only
Minimum Dynamic Pressure (bar):	1
Maximum Dynamic Pressure (bar):	5
Maximum Static Pressure (bar):	10
Connection Inlet:	15mm Compression
Connection Outlet:	G 1/2"
Isolation Valve Included:	No
Check Valve Included:	Yes

Dimensions (measurements in mm)



Flow Rates (l/min)

System Pressure (bar)	1	2	3	4	5
Valve Only (mixed)	22.3	31.6	38.7	44.7	50
Through Fixed Head (mixed)	4.3	6.1	7.5	8.7	9.7
With Flow Limiters (mixed)	4.3	6.1	7.5	8.7	9.7

TECHNICAL DATA SHEET



BRISTAN

D11