

RO2 SHXAR C

RIO Shower Range Rio Thermostatic Surface Mounted Shower Valve with Adjustable Riser Chrome



Specification

Finish/Colour:	Chrome
Main Construction Material:	Brass
No of Controls:	1
Shower Type:	Thermostatic
Shower Head Type:	Adjustable
Valve/Cartridge Type:	Exposed
Maximum Hot Water Supply Temperature °C:	80
Maximum Static Pressure: (bar)	10
Plumbing System Suitability:	All - Ideally Balanced
Working Pressure Range:	Min. 0.1 Bar - Max. 5.0 Bar
Connection Inlet:	15mm Compression Elbows
Connection Outlet:	G 1/2"
Check Valve Included:	No

Features:

- 15mm inlet connections
- Easy replacement with adjustable inlets so you can use on existing pipework centres between 110mm and 155mm
- Thermostatic cartridge with preset temperature stop at 42°C
- Supplied with 1 x 7L/min and 1 x 5L/min flow regulators

Product Certifications:



WRAS Cert. Number: 1404020
WRAS Expiry Date: 30/04/2019

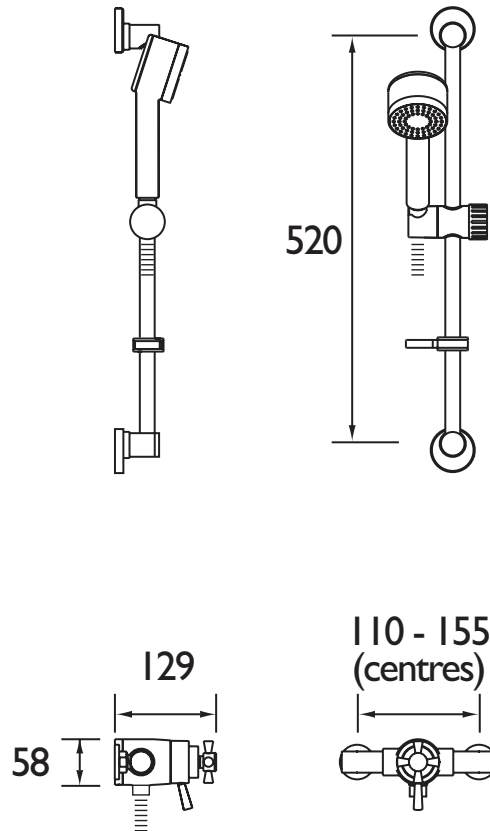


TMV2 Cert. Number: NSF2124/0619
TMV2 Expiry Date: 13/06/2024

For more products, visit our website:
<http://www.bristan.com>



Dimensions (measurements in mm)



Flow Rates (l/min)

System Pressure (bar)	0.2	0.5	1	2	3	5
With Flow Regulators	--	--	7.3	7.7	8.5	8.7
Without Flow Regulators	10	15.81	22.36	31.62	38.72	50

TECHNICAL DATA SHEET



BRISTAN

D4