

R2 SHXAR C

REGENCY Shower Range Regency2 Thermostatic Surface Mounted Shower Valve with Adjustable Riser Chrome



Features:

- TMV2 Rated Only Between 1 bar minimum and 5 Bar Maximum Dynamic Pressure.
- All in one box - pack includes shower valve, hose, hose retainer, riser rail and a rub-clean anti-limescale single function handset so nothing to buy separately.
- Easy installation with adjustable elbow inlets which enable you to use on existing pipework centres between 110mm and 155mm so there's no need for retiling.
- Rub-clean handset - limescale and debris build-up is quickly and easily removed by rubbing a finger or a cloth over the nozzles.
- A hard-wearing, flawless, scratch resistant chrome finish that lasts for years. Salt spray tested to ensure added durability.
- Thermostatic cartridge with preset temperature safety stop at 41°C for family-safe showering.

Product Certifications:



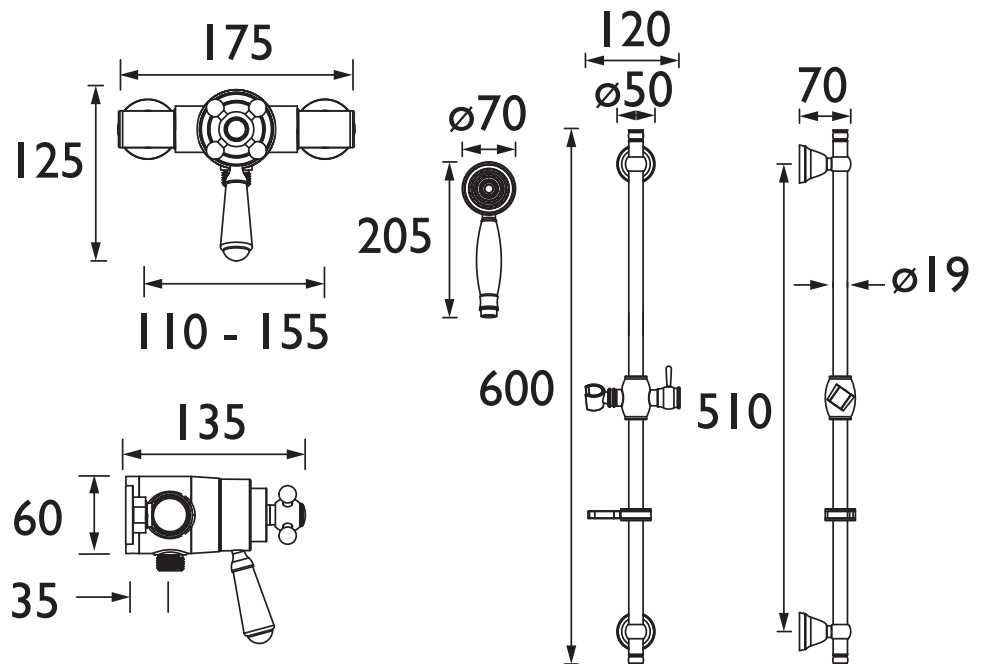
WRAS Certificate No: 240403011
WRAS Expiry Date: 30/04/2029
TMV2 Certificate No: 2503305
TMV2 Designation: HP-SE
TMV2 Expiry Date: 16/03/2030



Specification

Finish/Colour:	Chrome Plated
Main Construction Material:	Brass
No of Controls:	2
Shower Type:	Concentric Mini Valve
Shower Head Type:	Adjustable
Shower Kit:	Adjustable Riser
Valve/Cartridge Type:	Concentric Mini Valve
Maximum Hot Water Supply Temperature °C:	60
Plumbing System Suitability:	Suitable for high pressure systems only
Minimum Dynamic Pressure (bar):	0.1
Maximum Dynamic Pressure (bar):	5
Maximum Static Pressure (bar):	10
Connection Inlet:	15mm Compression
Connection Outlet:	G 1/2"
Isolation Valve Included:	No
Check Valve Included:	Yes

Dimensions (measurements in mm)



Flow Rates (l/min)

System Pressure (bar)	1	2	3	4	5
Valve Only (mixed)	19.6	27.8	34	39.3	43.9
Through Handset (mixed)	4.9	6.9	8.5	9.8	11

TECHNICAL DATA SHEET



BRISTAN

D13