

MH SNK EF MOC

MANHATTAN Tap Range

Manhattan Easyfit Mono Sink Mixer
Mocca



Specification

Product Type:	Kitchen Taps
Main Construction Material:	Brass
Mount Type:	Deck Mounted
Handle Type:	Lever
Connection Inlet:	1/2" BSP Flexible Tails
Connection Outlet:	Open
Number of Tap Holes:	1
Valve/Cartridge Type:	1/2" Ceramic Disc Valves
Plumbing System Requirements:	All, Preferably Balanced
Working Pressure Range:	Min 0.3 Bar, Max 5.0 Bar
Maximum Hot Water Temperature: °C	65
Maximum Static Pressure: (bar)	10
Flow Type:	Dual Flow
Isolation Included:	Yes

Features:

- Long life and easy to use 1/4 turn ceramic disc valves
- Metal fixing nut for added durability
- Easyfit base included
- Flexible tails included
- Easy to use metal handles

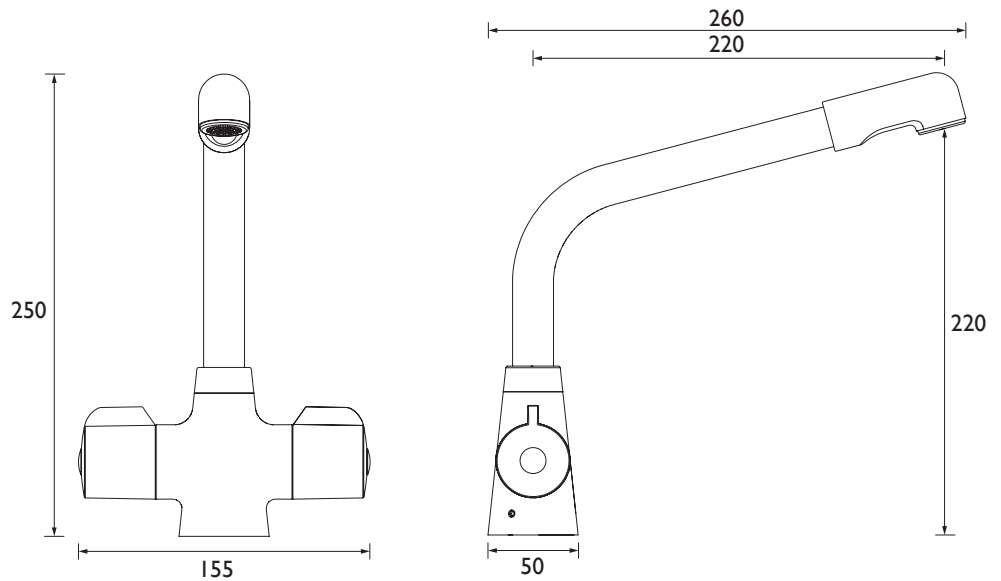
Product Certifications:



WRAS Expiry Date : 30/07/2020
WRAS Certificate Number : 1507950



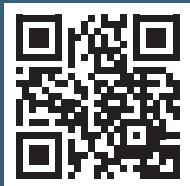
Dimensions (measurements in mm)



Flow Rates (l/min)

System Pressure (bar)	0.2	0.5	1	2	3	5
MH SNK EF MOC	10.6	13.7	18.8	27.2	33.6	43.4

For more products, visit our website:
<http://www.bristan.com>



TECHNICAL
DATA
SHEET



D4