

# MH SNK EF BGE

# MANHATTAN Tap Range

Manhattan Easyfit Mono  
Sink Mixer Beige



## Specification

<b>Product Type:</b>	Kitchen Taps
<b>Main Construction Material:</b>	Brass
<b>Mount Type:</b>	Deck
<b>Handle Type:</b>	Round
<b>Connection Inlet:</b>	1/2" BSP Flexible Tails
<b>Connection Outlet:</b>	M24 Flow Straightener
<b>Number of Tap Holes:</b>	1
<b>Valve/Cartridge Type:</b>	1/2" Ceramic Disc Valve
<b>Plumbing System Requirements:</b>	Suitable for all plumbing systems, ideally balanced
<b>Minimum Dynamic Pressure (bar):</b>	0.3 bar
<b>Maximum Dynamic Pressure (bar):</b>	5 bar
<b>Maximum Hot Water Temperature °C:</b>	60°C
<b>Maximum Static Pressure (bar):</b>	10 bar
<b>Flow Type:</b>	Single
<b>Isolation Included:</b>	Yes

## Features:

- Long life and easy to use 1/4 turn ceramic disc valves
- Metal fixing nut for added durability
- Easyfit base included
- Flexible tails included

## Product Certifications:



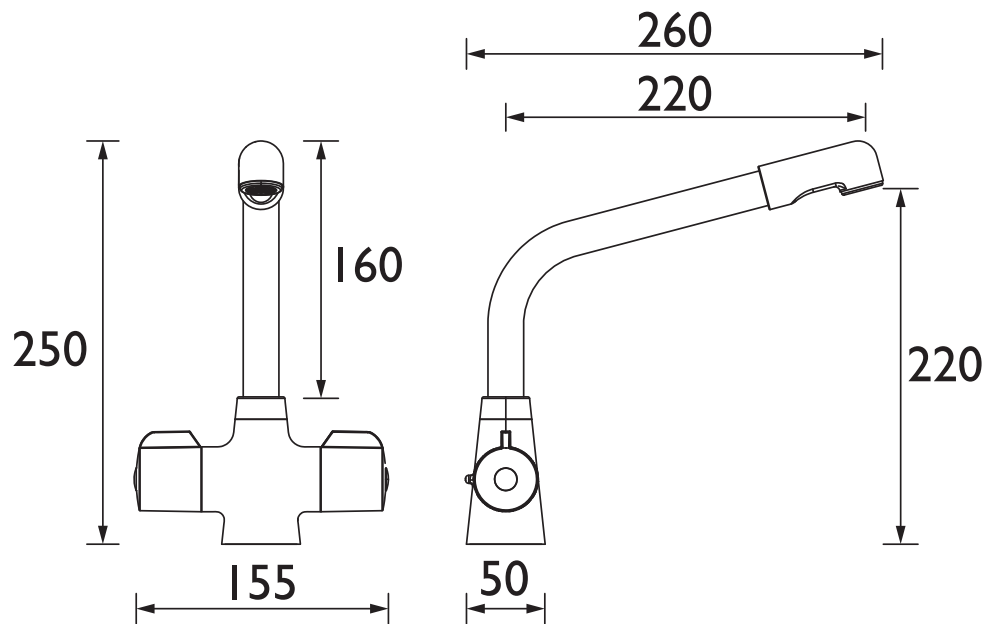
WRAS Cert. Number: 2205909  
WRAS Expiry Date: 31/05/2027



For more products, visit our website:  
<http://www.bristan.com>



## Dimensions (measurements in mm)



## Flow Rates (l/min)

System Pressure (bar)	0.3	0.5	1	2	3	5
MH SNK EF BGE (mixed)	11.3	14.6	20.7	29.2	35.8	46.2

# TECHNICAL DATA SHEET



# BRISTAN

D8