



Specification	
Contemporary or Traditional:	Contemporary
Main Construction Material:	ABS; Stainless Steel
Connection Inlet:	G1 1/2"
Waste Flow Rate (litres per minute):	55.7
What's in the Box?:	1 x Waste Body, 1 x Waste Plate, 2 x Rubber Washers, 1 x Overflow Elbow, 1 x Black Plastic Overflow Ring, 1 x Black Rubber Washer, 1 x White Foam Washer, 1 x ABS Overflow Plate, 1 x Ball Link Chain, 1 x ABS Plug, 1 x Overflow Tube, 1 x Fitting Instructions

Features:

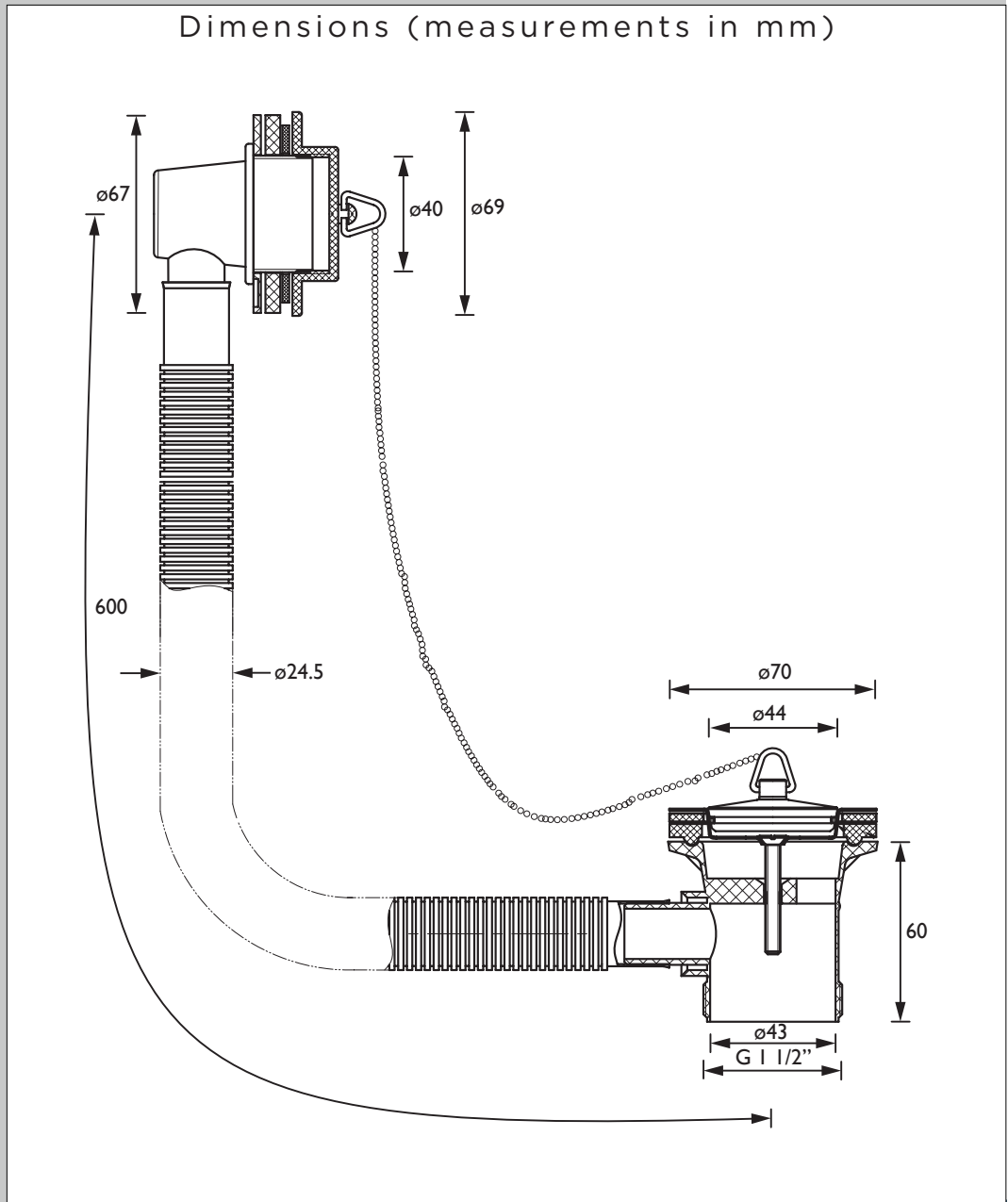
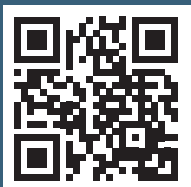
- Slotted Waste. Suitable for baths with a built in overflow
- Complete with fittings, chain, plug & stay

Product Certifications:

Variant SKUs:

- W BATH02 C

For more products, visit our website:
<http://www.bristan.com>



TECHNICAL DATA SHEET



BRISTAN