

EBY 3/4 C

EBONY Tap Range Ebony Bath Taps Chrome

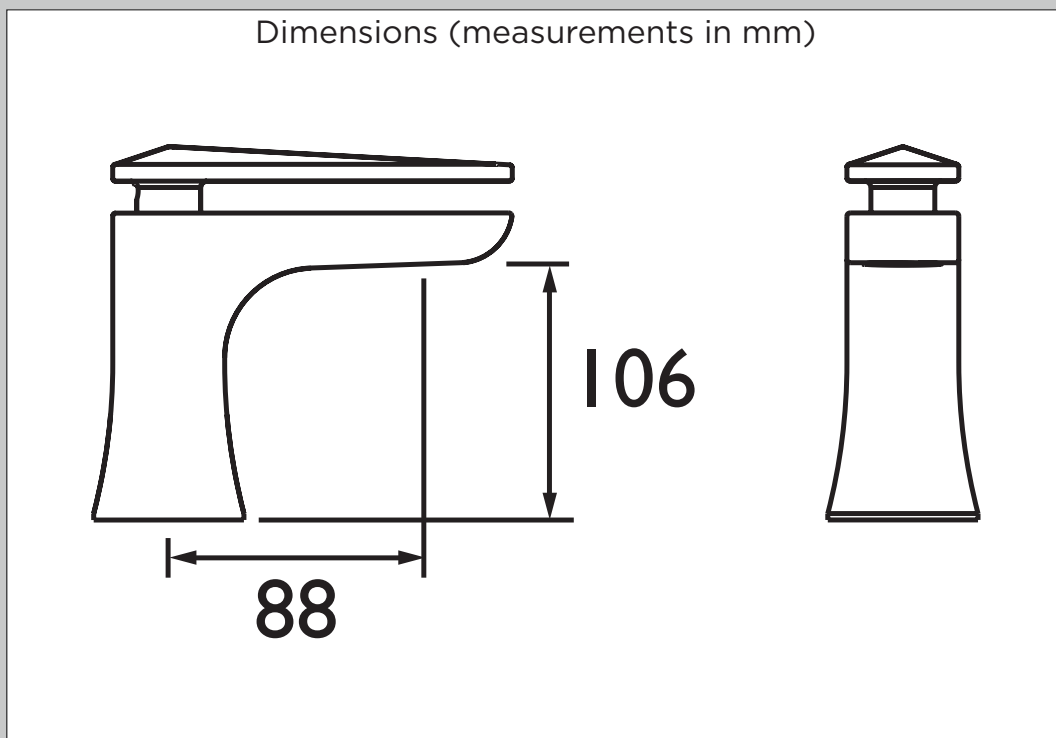


Specification	
Style:	Contemporary
Product Type:	Bathroom Taps
Finish/Colour:	Chrome
Main Construction Material:	Brass
Mount Type:	Deck
Handle Type:	Lever
Connection Inlet:	3/4" BSP
Number of Tap Holes Required:	2
Valve/Cartridge Type:	3/4" Ceramic Disc Valves
Plumbing System Suitability	All
Working Pressure Range:	Min 0.2 Bar, Max 5.0 Bar
Maximum Hot Water Temperature: °c	65
Maximum Dynamic Pressure: (bar)	5
Maximum Static Pressure: (bar)	10
Flow Type:	Single Flow
Flow Rate: (l/min @ 3 bar)	55.9
Connection Outlet:	
Isolation Included:	No

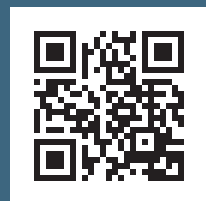
Features:

- Metal Backnuts
- Ceramic Disc
- 3/4" valve

Product Certifications:



For more products, visit our website:



Flow Rates (l/min)						
System Pressure (bar)	0.2	0.5	1	2	3	5
EBY 3/4 C (Hot)	13.5	21.5	30.8	43.3	53	68.5
EBY 3/4 C (Cold)	13.6	22.6	32.3	45.6	55.9	72.1

TECHNICAL
DATA
SHEET



BRISTAN
TAPS & SHOWERS

D2