

BTZ 3/4 C

BLITZ Tap Range Blitz Bath Taps Chrome



Features:

- Long life and easy to use 1/4 turn ceramic disc valves
- Metal back nuts for added durability
- 3/4" valve

Product Certifications:



WRAS Cert. Number: 2006903
WRAS Expiry Date: 30/06/2025

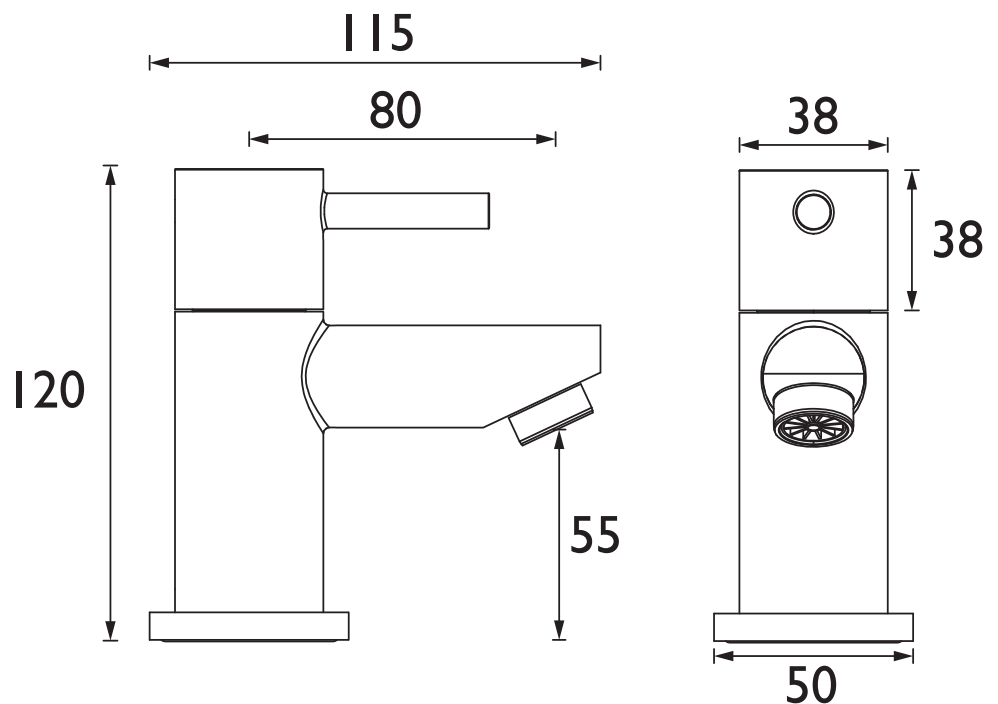
For more products, visit our website:
<http://www.bristan.com>



Specification

Product Type:	Bathroom Tap
Main Construction Material:	Brass
Mount Type:	Deck Mounted
Handle Type:	Lever Handles
Connection Inlet:	3/4" BSP
Connection Outlet:	Anti-Splash
Number of Tap Holes:	2
Valve/Cartridge Type:	1/4 Turn 3/4" Ceramic Disc
Plumbing System Requirements:	Suitable for all plumbing systems
Minimum Dynamic Pressure (bar):	0.2
Maximum Dynamic Pressure (bar):	5
Maximum Hot Water Temperature °C:	65
Maximum Static Pressure (bar):	10
Flow Type:	Dual Flow
Isolation Included:	No

Dimensions (measurements in mm)



Flow Rates (l/min)

System Pressure (bar)	0.2	0.5	1	2	3	5
BTZ 3/4 C (Cold)	14.4	23.5	33.2	47	57.5	74.2
BTZ 3/4 C (Hot)	13.1	21.5	31.5	44.6	54.6	70.4

TECHNICAL DATA SHEET



BRISTAN

D9