

D BAS C CD

ART DECO Tap Range Art Deco Basin Mixer Chrome with Ceramic Disc Valves Chrome



Specification	
Style:	Traditional
Product Type:	Basin Mixer
Finish/Colour:	Chrome
Main Construction Material:	Brass
Mount Type:	Deck Mounted
Handle Type:	Crosshead
Connection Inlet:	M12 x 15mm Screw-in Copper Connecting Pipes
Number of Tap Holes Required:	1
Valve/Cartridge Type:	1/4 Turn 1/2" Ceramic Disc Valves
Plumbing System Suitability	All
Working Pressure Range:	Min. 0.2 Bar, Max. 5.0 Bar
Maximum Hot Water Temperature: °c	65
Maximum Dynamic Pressure: (bar)	5
Maximum Static Pressure: (bar)	10
Flow Type:	Single
Flow Rate: (l/min @ 3 bar)	55.7
Connection Outlet:	N/A
Isolation Included:	No

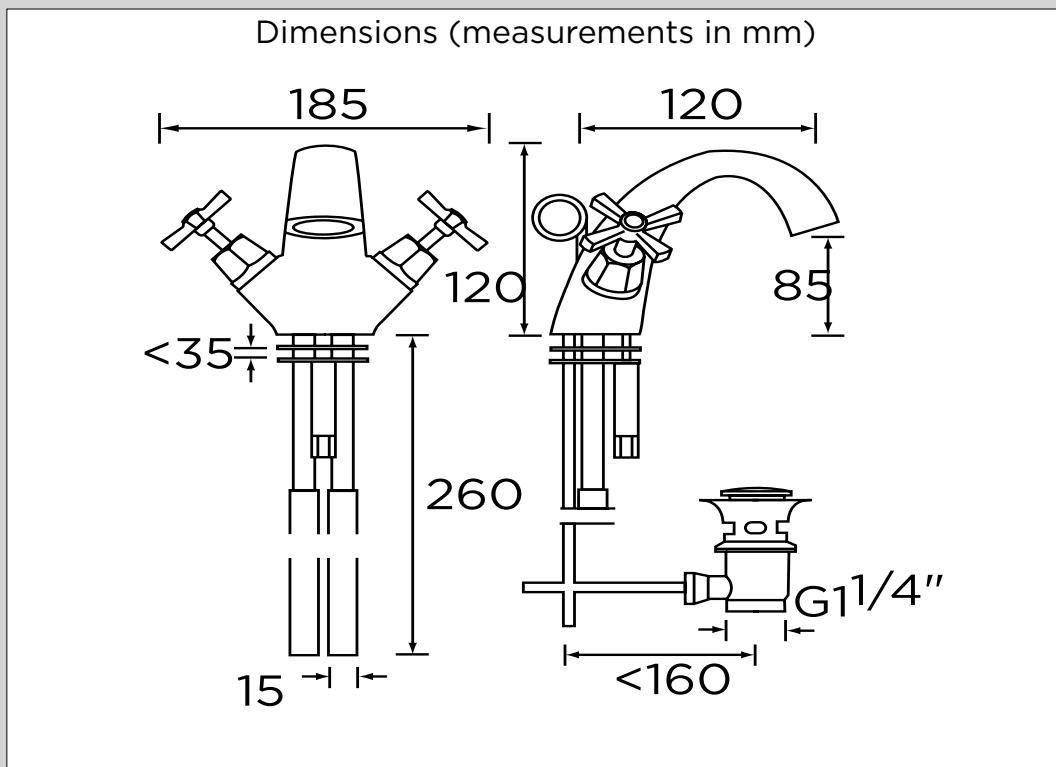
Features:

- Metal Fixing Nut
- Ceramic Disc
- 1/2" valve

Product Certifications:



For more products, visit our website:



Flow Rates (l/min)						
System Pressure (bar)	0.2	0.5	1	2	3	5
D BAS C CD	14.38	22.74	32.16	45.48	55.7	71.91

TECHNICAL
DATA
SHEET



BRISTAN
TAPS & SHOWERS

D6