

VANTAGE Easyfit Bath Filler

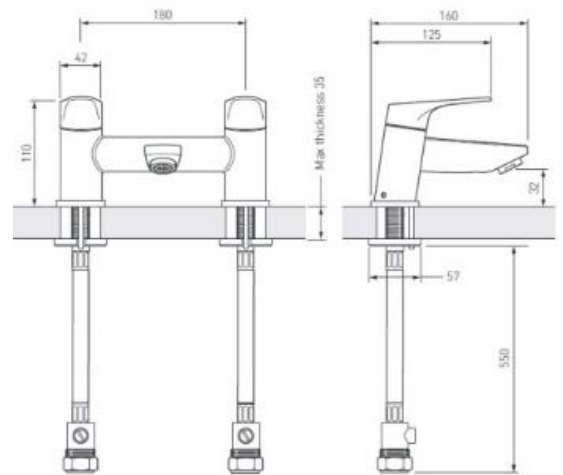
Product Specification

Product Code: VT BF C
Finishes: Chrome
Product Type: Contemporary
Construction: Tap bodies are of all brass construction and are designed to conform to BS EN 200
Valve Type: ¼ Turn ¾" Ceramic Disc
Supply: Suitable for all plumbing systems
Inlet Connections: 22mm flexible connecting pipes incorporating isolation valves
Working Pressures: Min 0.2 bar Max. 8.0 bar



Additional Information

- Unique patented technology
- Designed with the installer in mind to ensure installation and future maintenance is made quick and easy
- Chrome plated to BS EN 248
- Ceramic disc valves for added durability and ease of use
- Supplied with easy to use metal handles



Dimensions are nominal and in millimetres.

Flow Rates (litres per minute)

System Pressure	0.2bar	0.5bar	1.0bar	2.0bar	3.0bar	5.0bar
Single Outlet	13.3	21.2	30.2	42.7	52	59.7
Mixed	24.1	36.7	51.6	73.2	89.3	115.2

Compliance / Approvals

Patent Applications: PCT/GB2011/051010
 TW10018586

Technical Advice: For further information please call 0844 7016273 or email customer@bristan.com

Guarantee: 5 years covering manufacturing faults.

