

# FH TDRD02 C

Accessories  
Traditional 200mm Round Fixed  
Head Chrome



## Specification

Product Type:	Fixed Shower Head
Main Construction Material:	Brass
Connection Inlet:	1/2" BSP
Contemporary or Traditional:	Contemporary
Finish Colour:	Chrome

### Features:

- Complete with swivel joint for angle adjustment

### Product Certifications:

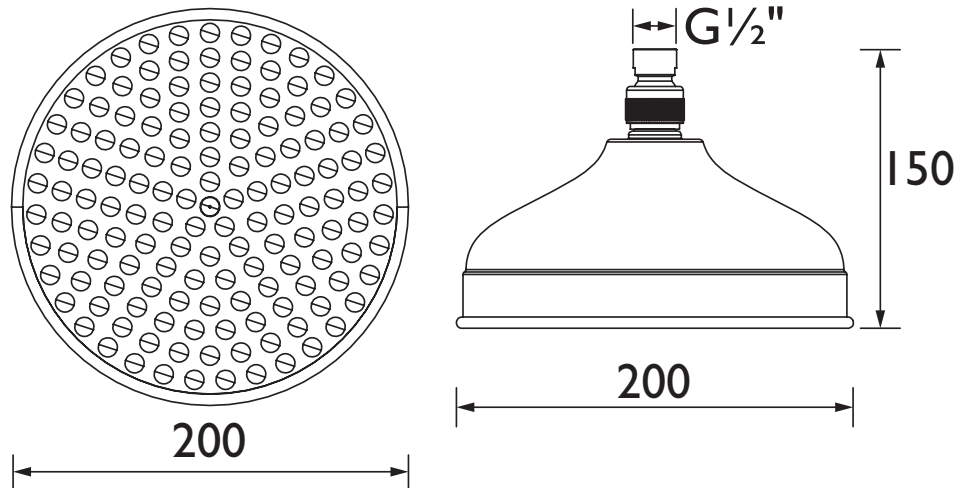


WRAS Cert. Number: 2007910  
WRAS Expiry Date: 31/07/2025

For more products, visit our website:  
<http://www.bristan.com>



### Dimensions (measurements in mm)



TECHNICAL  
DATA  
SHEET



BRISTAN

D5