

TECHNICAL DATA SHEET

DESIGN UTILITY LEVER

Bath Shower Mixer

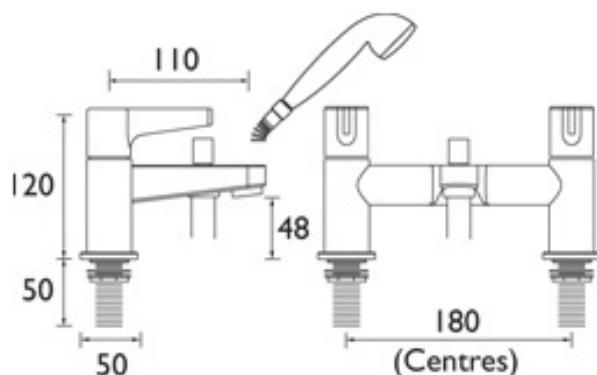
Product Specification

Product Code:	DUL BSM C
Finish:	Chrome
Product Type:	Utility
Construction:	Body is of Brass Construction and is designed to conform to BS EN 200
Valve Type:	1/4 turn 3/4" Ceramic Disc Valves
Supply:	Suitable for all plumbing systems
Inlet Connections:	3/4" BSP
Water Pressure:	Min 0.2 bar, Max. 8.0 bar
Dimensions for Fitting:	180mm inlet centres



Additional Information

- Includes single function, rub clean handset, handset holder and 1.75m hose
- Supplied with metal backnuts
- Chrome plated to BS EN 248



Flow Rates (litres per minute)

System Pressure	0.2bar	0.5bar	1.0bar	2.0bar	3.0bar	5.0bar
Bath Filler (Mixed)	14.6	25.4	36.5	52.3	64.8	83.7
Through Handset	5.7	7.7	12.6	20.7	35.9	45.2

Compliance/Approvals

WRAS Approval No: 1801002
WRAS Expiry Date: 31/01/2023

Technical Advice: For further information please call 0844 7016273
or email customercare@bristan.com

Guarantee: 5 years covering manufacturing faults.

