

DUX DSM C

DU XHEAD Tap Range Design Utility X Head Deck Sink Mixer Chrome



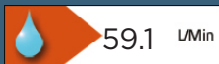
Features:

- Long life and easy to use 1/4 turn ceramic disc valves
- Metal back nuts for added durability
- Product supplied with two check valves
- Chrome plated to BS EN 248

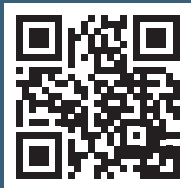
Product Certifications:



WRAS Cert. Number: 1906900
WRAS Expiry Date: 30/06/2024



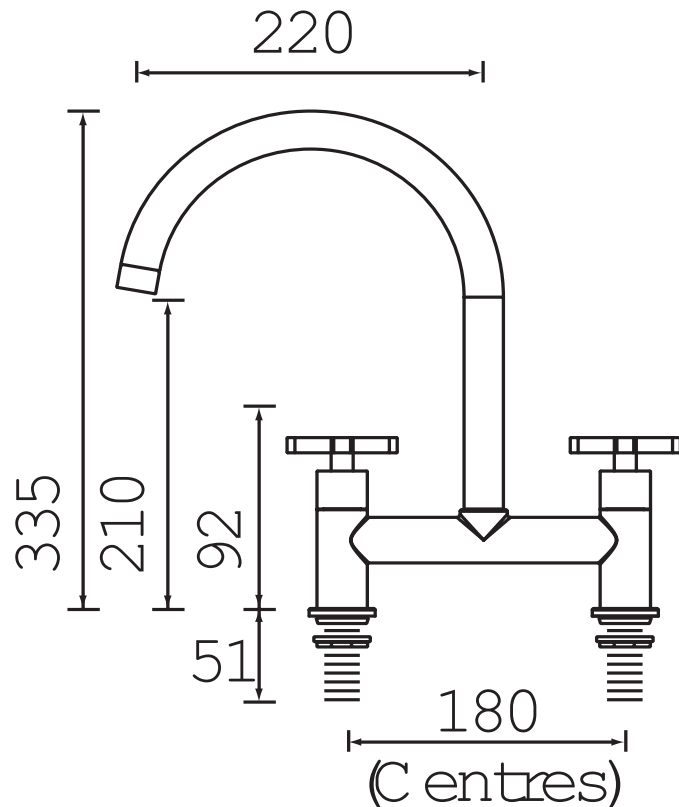
For more products, visit our website:
<http://www.bristan.com>



Specification

Product Type:	Taps
Main Construction Material:	Brass
Mount Type:	Deck Mounted
Handle Type:	Crosshead Handles
Connection Inlet:	½" BSP
Connection Outlet:	N/A
Number of Tap Holes:	2
Valve/Cartridge Type:	Quarter Turn Ceramic Disc Valves
Plumbing System Requirements:	All - Ideally Balanced
Working Pressure Range:	Min. 0.2 Bar - Max. 8.0 Bar
Maximum Hot Water Temperature: °C	65
Maximum Static Pressure: (bar)	10
Flow Type:	Single Flow

Dimensions (measurements in mm)



Flow Rates (l/min)

System Pressure (bar)	0.2	0.5	1	2	3	5
DUX DSM C	13.2	23.1	33.4	47.8	59.1	76.5

TECHNICAL
DATA
SHEET



BRISTAN
TAPS & SHOWERS D5