

VAL DSM C 6 CD

VALUE Tap Range Lever Deck Sink Mixer Chrome With 6 Levers & Ceramic Disc Valves



Features:

- Long life and easy to use 1/4 turn ceramic disc valves
- Supplied with 6" (152mm) metal lever handles

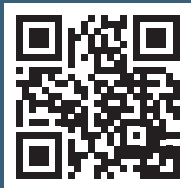
Product Certifications:



WRAS Cert. Number : 1907901
WRAS Expiry Date : 31/07/2024



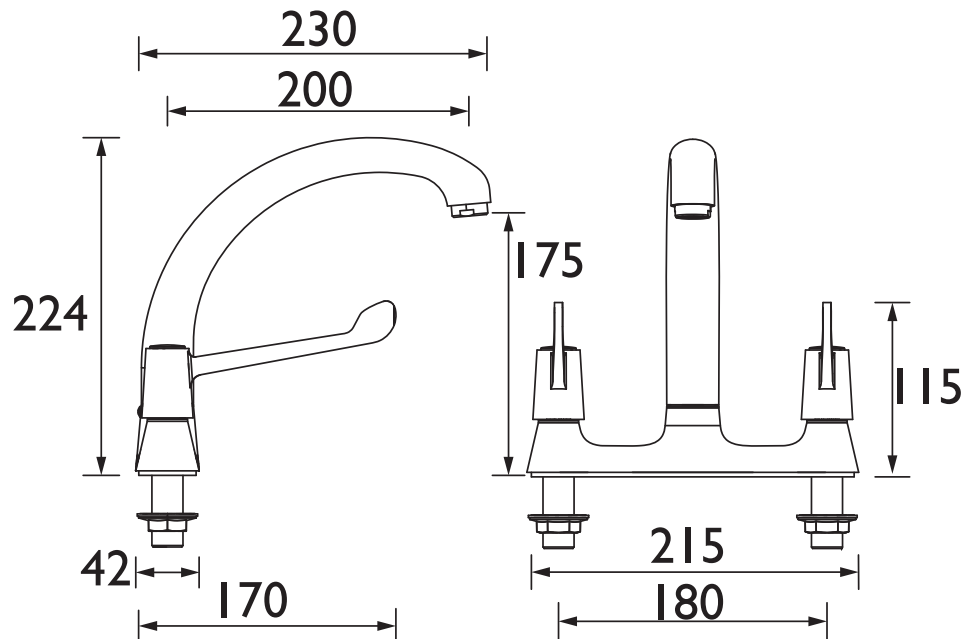
For more products, visit our website:
<http://www.bristan.com>



Specification

| | |
|--|-------------------------------------|
| Product Type: | Contemporary |
| Main Construction Material: | Brass |
| Mount Type: | Deck Mounted |
| Handle Type: | 6" Lever Handles |
| Connection Inlet: | ½" BSP |
| Connection Outlet: | N/A |
| Number of Tap Holes: | 2 |
| Valve/Cartridge Type: | Quarter Turn ½" Ceramic Disc Valves |
| Plumbing System Requirements: | All - Ideally Balanced |
| Minimum Dynamic Pressure: | 0.2 Bar |
| Maximum Dynamic Pressure: | 8.0 Bar |
| Maximum Hot Water Temperature: °C | 65 |
| Maximum Static Pressure: (bar) | 10 |
| Flow Type: | Single Flow |

Dimensions (measurements in mm)



Flow Rates (l/min)

| System Pressure (bar) | 0.2 | 0.5 | 1 | 2 | 3 | 5 |
|-----------------------|------|------|------|------|------|------|
| VAL DSM C 6 CD | 13.5 | 24.8 | 34.2 | 49.1 | 60.9 | 78.7 |

TECHNICAL
DATA
SHEET



BRISTAN

D12