

# VAL BRDSM C CD

## VALUE Tap Range Lever Bridge Deck Sink Mixer Chrome With Ceramic Disc Valves



### Specification

<b>Product Type:</b>	Tap
<b>Main Construction Material:</b>	Brass
<b>Mount Type:</b>	Deck Mounted
<b>Handle Type:</b>	Lever Handles
<b>Connection Inlet:</b>	1/2" BSP
<b>Connection Outlet:</b>	N/A
<b>Number of Tap Holes:</b>	2
<b>Valve/Cartridge Type:</b>	1/4 Turn 1/2" Ceramic Disc Valves
<b>Plumbing System Requirements:</b>	All - Ideally Balanced
<b>Working Pressure Range:</b>	Min. 0.2 Bar, Max 7.0 Bar
<b>Maximum Hot Water Temperature: °C</b>	65

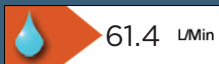
### Features:

- Long life and easy to use 1/4 turn ceramic disc valves
- Metal back nuts for added durability
- Supplied with 3" (76mm) metal lever handles
- Dual flow prevents hot water entering the mains supply

### Product Certifications:



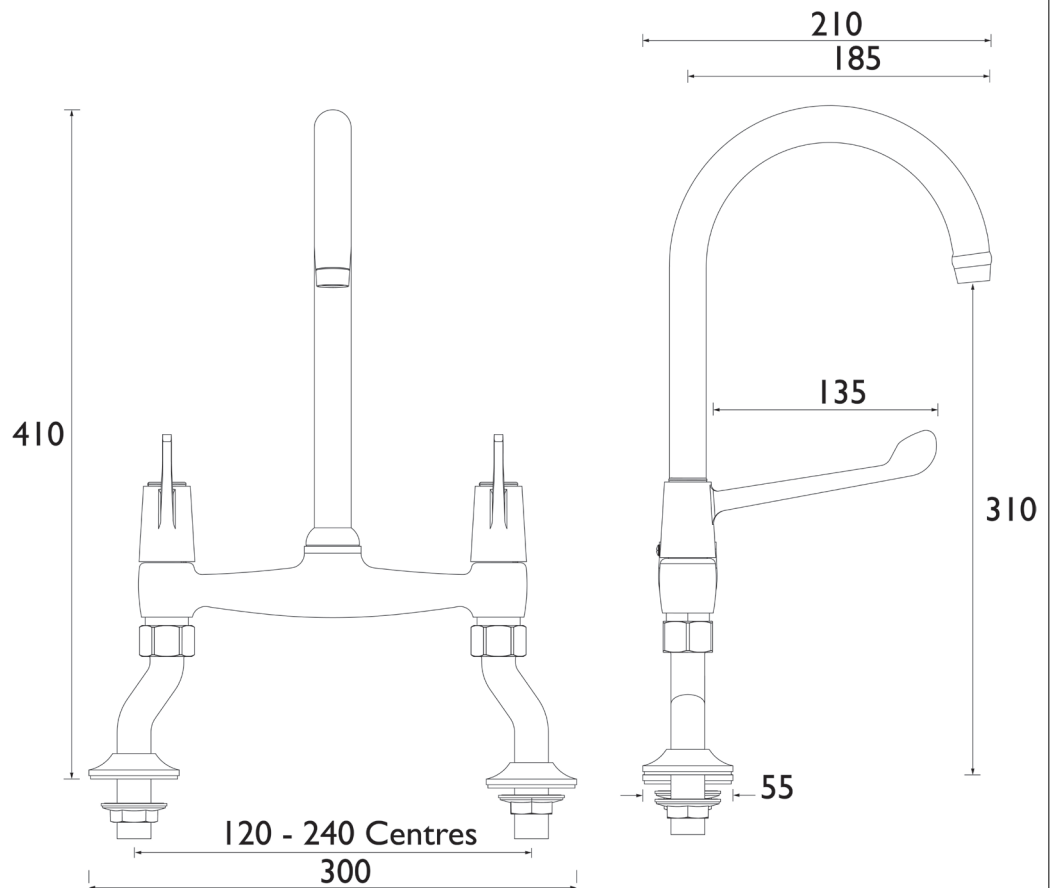
WRAS Cert. Number: 1406074  
WRAS Expiry Date: 30/06/2018



For more products, visit our website:  
<http://www.bristan.com>



### Dimensions (measurements in mm)



### Flow Rates (l/min)

System Pressure (bar)	0.2	0.5	1	2	3	5
VAL BRDSM C CD	12.83	20.28	34.17	49.52	61.35	79.15

TECHNICAL  
DATA  
SHEET



**BRISTAN**  
TAPS & SHOWERS  
D6