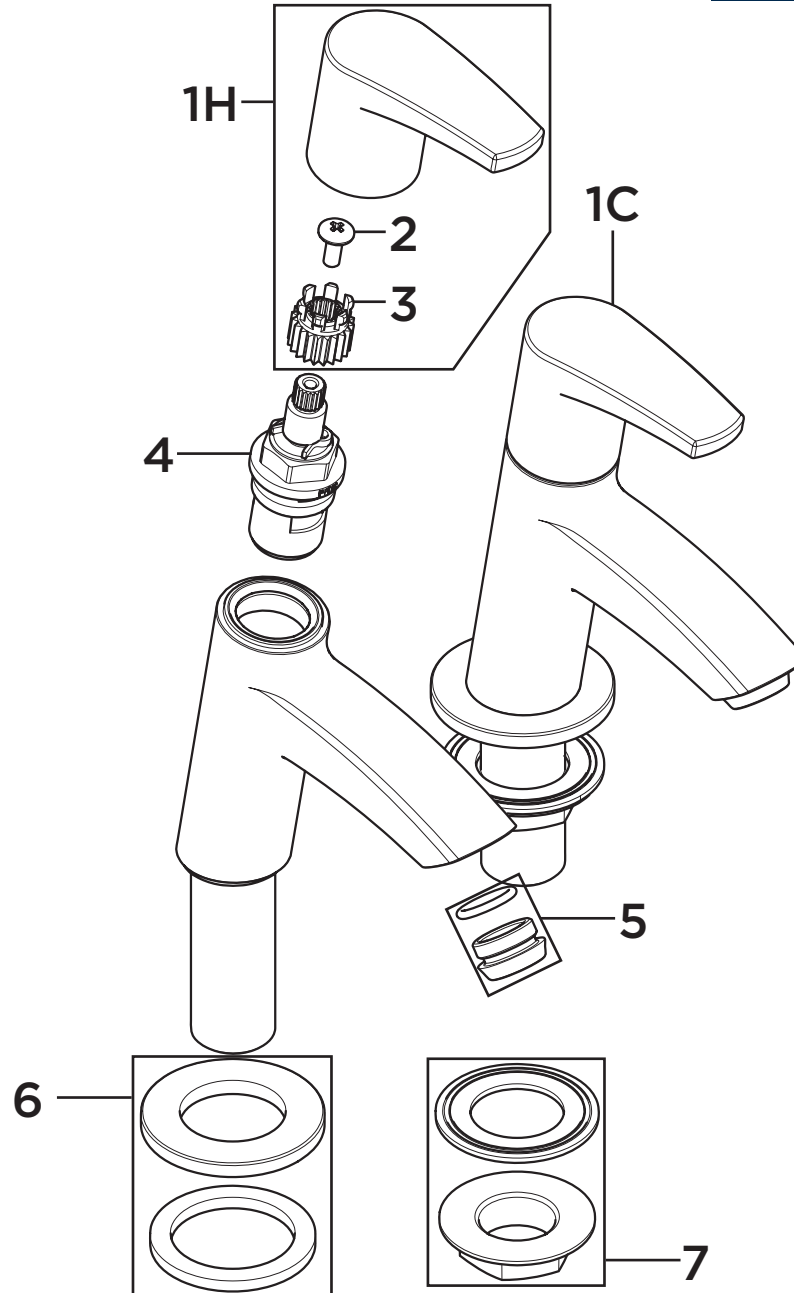
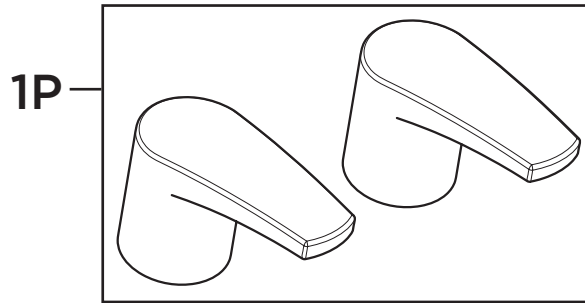


**Product Code:** OR 1/2 C  
**Revision:** D2



1H	Hot Handle Assembly inc. Spline Adaptor and Screw
1C	Cold Handle Assembly inc. Spline Adaptor and Screw
1P	Handle Assembly (pair) (Spline Adaptor and Screw not Included)
2	Spline Adapter
3	M4x10 Screw
4	1/4 Turn 1/2" Ceramic Disc Valves (pair)
5	M16 Flow Straightener
6	Plinth with Rubber Seal
7	Backnut and Washer