

OP TS1503 EL C

GUM Shower Range TS1503 Opac Lever Exposed Shower Valve



Specification

| | |
|--|----------------------------|
| Style: | Contemporary |
| Finish/Colour: | Chrome |
| Main Construction Material: | Brass |
| No of Controls: | 1 |
| Shower Type: | Exposed Shower Valve |
| Shower Head Type: | N/A |
| Valve/Cartridge Type: | Thermostatic cartridge |
| Maximum Hot Water Supply Temperature °C: | 65 |
| Maximum Static Pressure: (bar) | 10 |
| Plumbing System Suitability: | All - Ideally Balanced |
| Working Pressure Range: | Min. 0.2 Bar, Max. 8.0 Bar |
| Connection Inlet: | 15mm Compression |
| Connection Outlet: | ½" BSP |

Features:

- Single sequential control for both temperature and flow
- High performance at pressures as low as 0.2 bar
- Automatic shutoff in the event of hot or cold water supply failure
- Check valves and serviceable filters as standard
- Adjustable inlet elbows allow centres between 148mm - 158mm

Product Certifications:



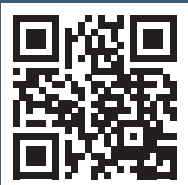
WRAS Cert. Number: 1812703
WRAS Expiry Date: 31/12/2023



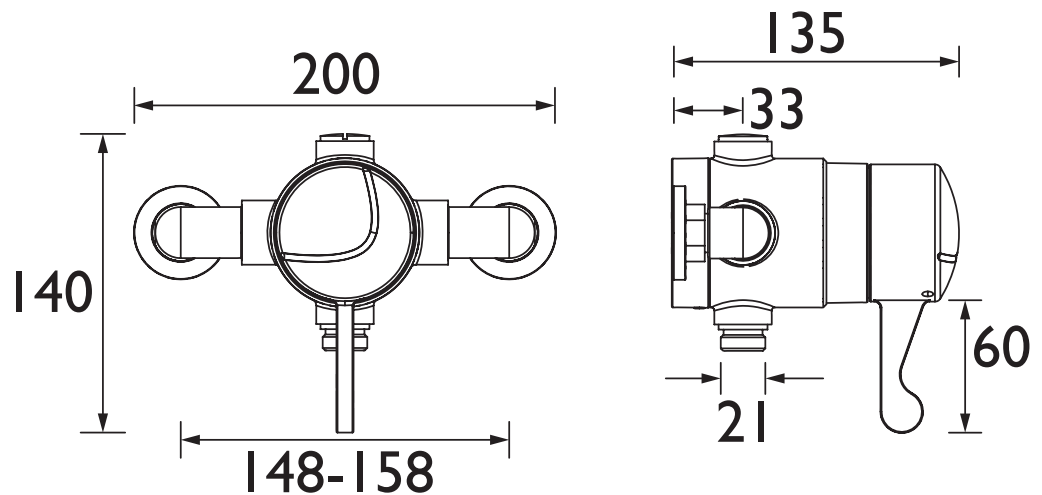
TMV3 Cert. Number: NSF2014/0718
TMV3 Expiry Date: 06/07/2023



For more products, visit our website:
<http://www.bristan.com>



Dimensions (measurements in mm)



Flow Rates (l/min)

| System Pressure (bar) | 0.2 | 0.5 | 1 | 2 | 3 | 5 |
|-------------------------|-----|-----|-----|-----|-----|---|
| Through Handset (mixed) | 4.6 | 6.8 | 7.1 | 8.1 | 8.6 | 9 |

TECHNICAL DATA SHEET



BRISTAN